



US00D369352S

# United States Patent [19]

[11] Patent Number: **Des. 369,352**

Iwakami

[45] Date of Patent: **\*\*Apr. 30, 1996**

[54] **AUXILIARY CONNECTOR FOR A CARTRIDGE FOR A VIDEO GAME MACHINE**

5,282,621 2/1994 Tseng ..... 273/148 B

### OTHER PUBLICATIONS

Publication No. 872934 issued by the Japanese Patent Office on Jul. 16, 1993.

[75] Inventor: **Yoshiaki Iwakami**, Tokyo, Japan

*Primary Examiner*—M. H. Tung  
*Attorney, Agent, or Firm*—Michael N. Meller

[73] Assignee: **Sega Enterprises, Ltd.**, Tokyo, Japan

[\*\*] Term: **14 Years**

### [57] CLAIM

[21] Appl. No.: **28,619**

The ornamental design for an auxiliary connector for a cartridge for a video game machine, as shown and described.

[22] Filed: **Oct. 5, 1994**

### DESCRIPTION

### [30] Foreign Application Priority Data

Apr. 11, 1994 [JP] Japan ..... 6-10054

[52] U.S. Cl. .... **D14/114**; D21/48

[58] Field of Search ..... D14/114; D13/133;  
273/148 B, 433-438; D21/48, 13

FIG. 1 is a perspective view of an auxiliary connector for a cartridge for a video game machine showing my new design, on a reduced scale;

FIG. 2 is a front view thereof;

FIG. 3 is a rear view thereof;

FIG. 4 is a left side view thereof;

FIG. 5 is a right side view thereof;

FIG. 6 is a top view thereof; and,

FIG. 7 is a bottom view thereof.

### [56] References Cited

#### U.S. PATENT DOCUMENTS

- D. 315,577 3/1991 Wang ..... D21/48
- D. 333,686 3/1993 Barr et al. .... D21/48
- D. 348,874 7/1994 Pemberton ..... D14/114
- D. 349,520 8/1994 Iwakami ..... D21/48 X

**1 Claim, 4 Drawing Sheets**

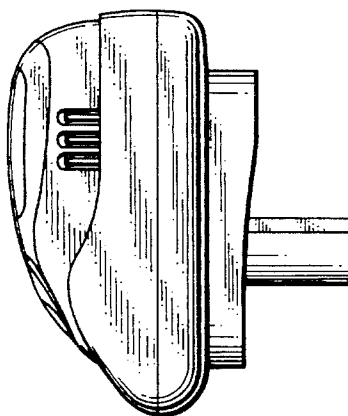
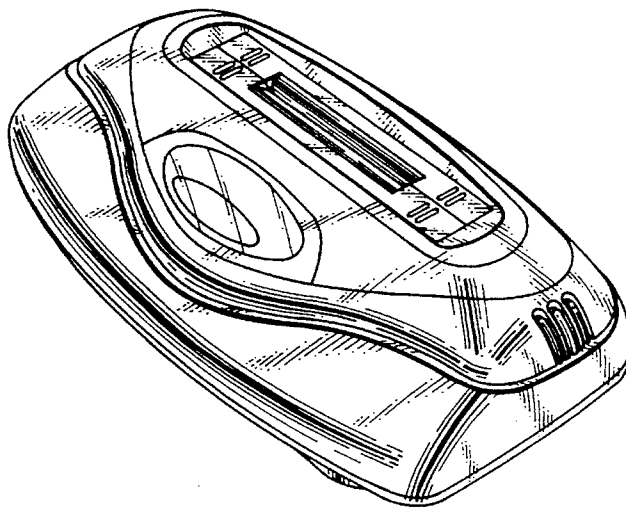


FIG. 1

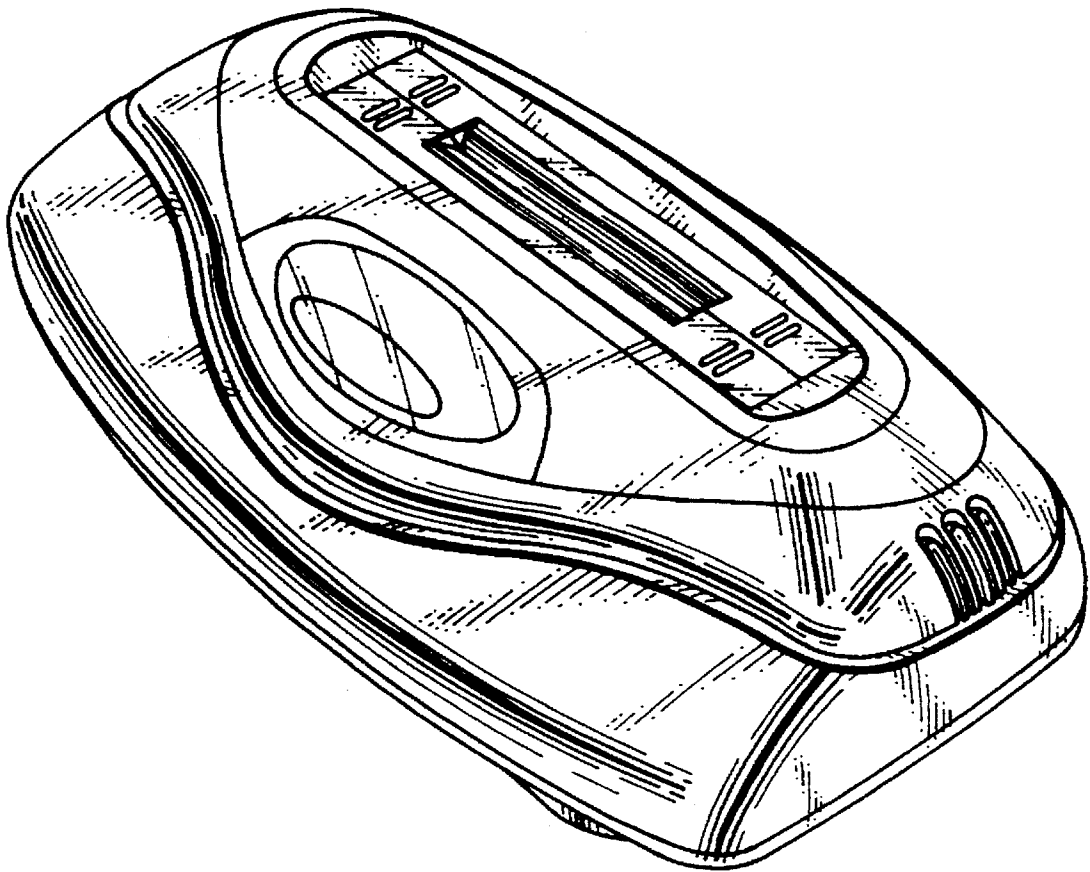


FIG. 2

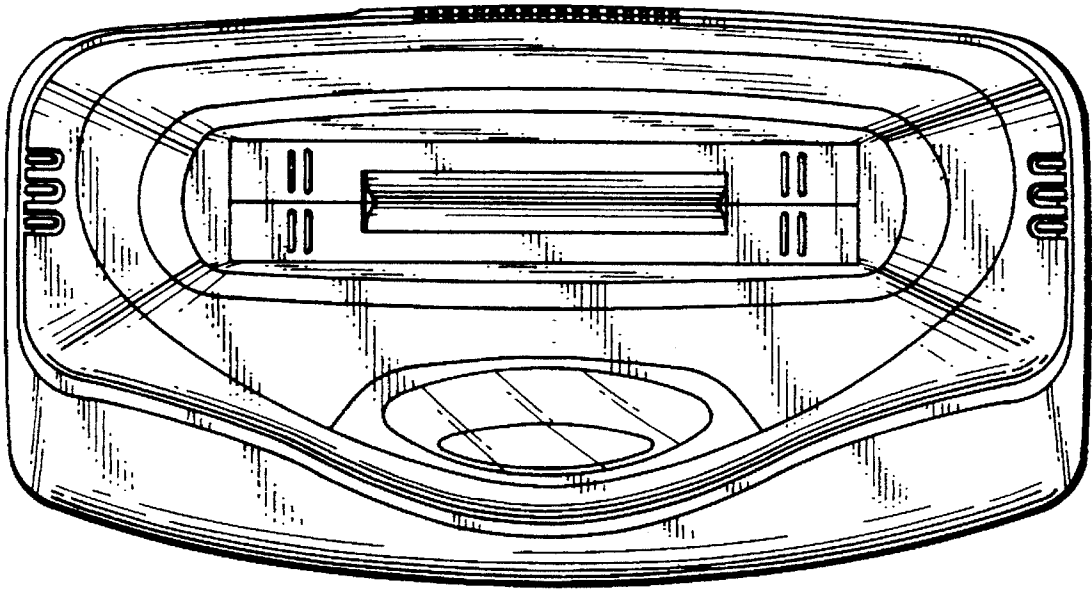


FIG. 3

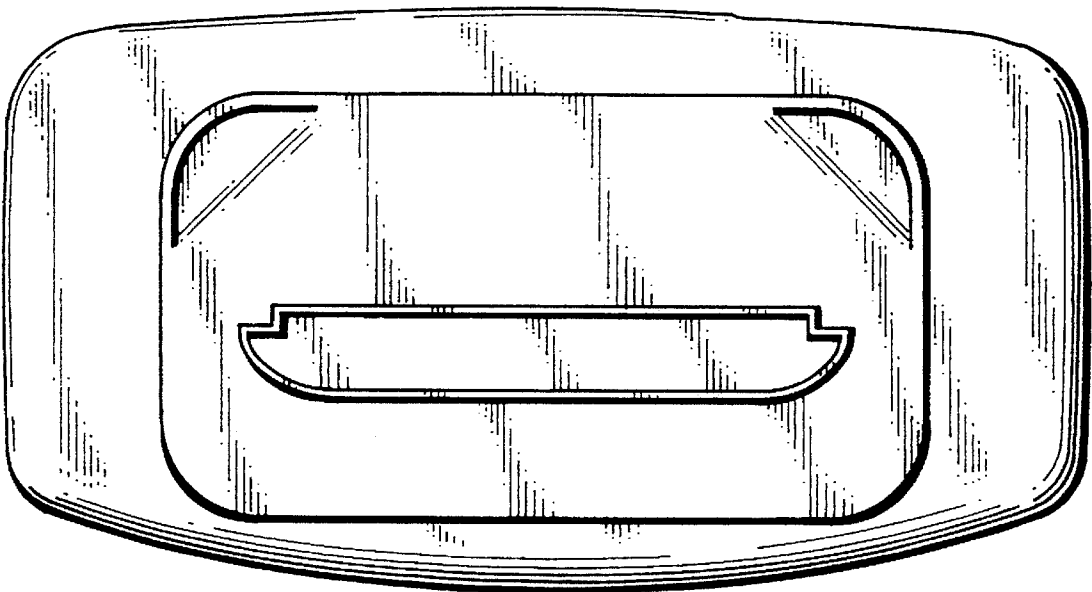


FIG. 4

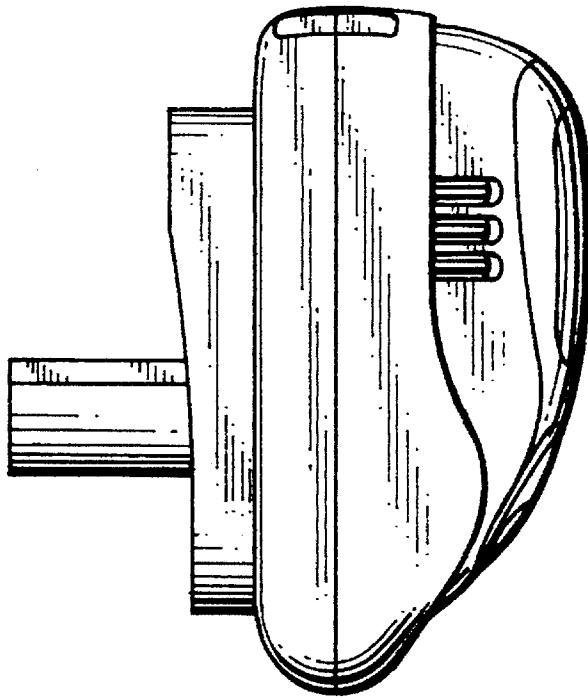


FIG. 5

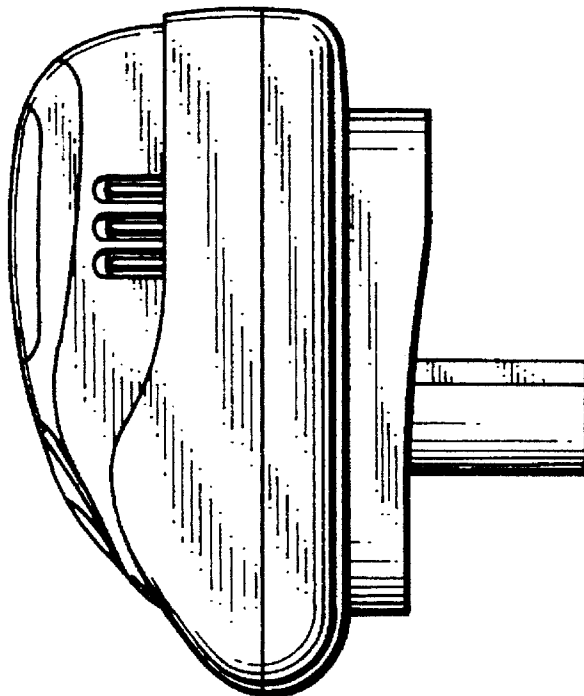


FIG. 6

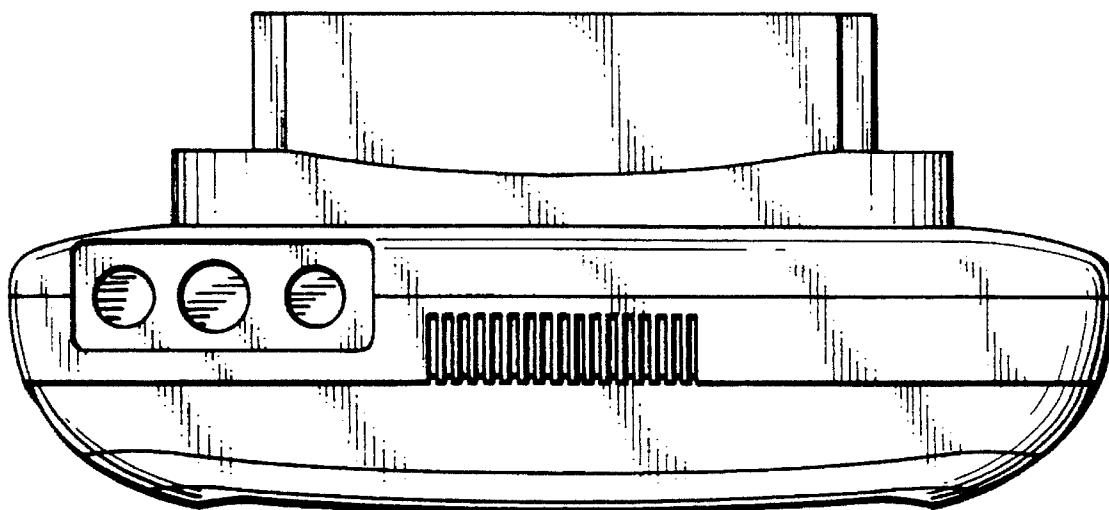


FIG. 7

