



US00D402707S

United States Patent [19]
Shinzato

[11] **Patent Number: Des. 402,707**
[45] **Date of Patent: **Dec. 15, 1998**

[54] **SIMULATION SKI GAME MACHINE**

D. 386,796	11/1997	Komori	D21/13
4,817,950	4/1989	Goo	463/36
5,049,079	9/1991	Furtado et al.	434/253
5,233,810	8/1993	Pierce et al.	463/30 X
5,713,794	2/1998	Shimajima et al.	463/31 X

[75] Inventor: **Yasunobu Shinzato**, Tokyo, Japan

[73] Assignee: **Sega Enterprises, Ltd.**, Tokyo, Japan

[**] Term: **14 Years**

[21] Appl. No.: **67,701**

[22] Filed: **Mar. 6, 1997**

[30] **Foreign Application Priority Data**

Sep. 9, 1996 [JP] Japan 8-26867

[51] **LOC (6) Cl.** **21-01**

[52] **U.S. Cl.** **D21/326**

[58] **Field of Search** D21/1, 13, 11,
D21/48, 224, 230, 240; 273/317.1, 352,
118 R, 119 R, 120 A, 148 B; 463/1, 2,
49, 50, 51, 30-36; 434/253, 247; 482/70,
79, 146, 901

[56] **References Cited**

U.S. PATENT DOCUMENTS

D. 376,391	12/1996	Okumura	D21/13
D. 380,779	7/1997	Shinzato	D21/13
D. 383,169	9/1997	Shinzato	D21/13
D. 386,217	11/1997	Okumura	D21/13

OTHER PUBLICATIONS

Jet Wave Catalog, p. 134, Apr. 1996.
Sega Enterprise Brochure, 1994.
A catalog picture of "Alpine Racer" game machine, K.K. Namco, Feb. 1995.

Primary Examiner—Prabhakar G. Deshmukh
Attorney, Agent, or Firm—Ladas & Parry

[57] **CLAIM**

The ornamental design for a simulation ski game machine, as shown and described.

DESCRIPTION

FIG. 1 is a front view of a simulation ski game machine showing my new design;
FIG. 2 is a rear view thereof;
FIG. 3 is a top view thereof;
FIG. 4 is a bottom view thereof;
FIG. 5 is a right side view thereof; and,
FIG. 6 is a left side view thereof.

1 Claim, 2 Drawing Sheets

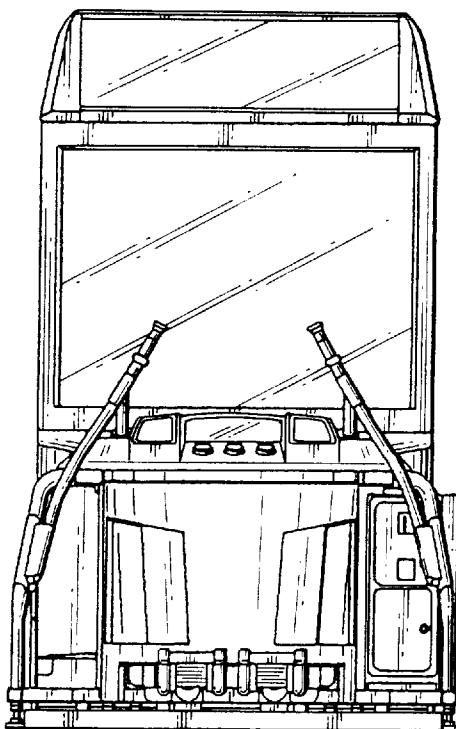


FIG. 1

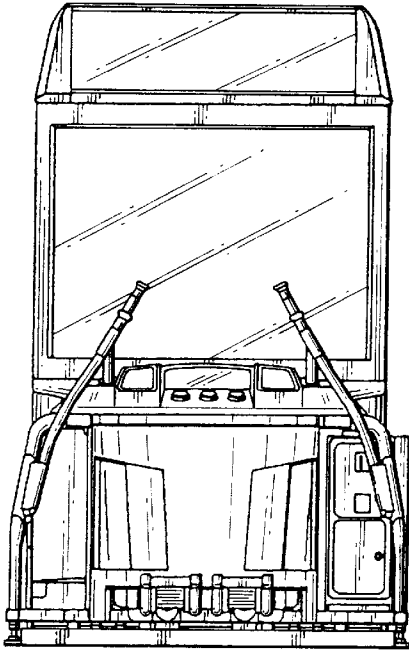


FIG. 2

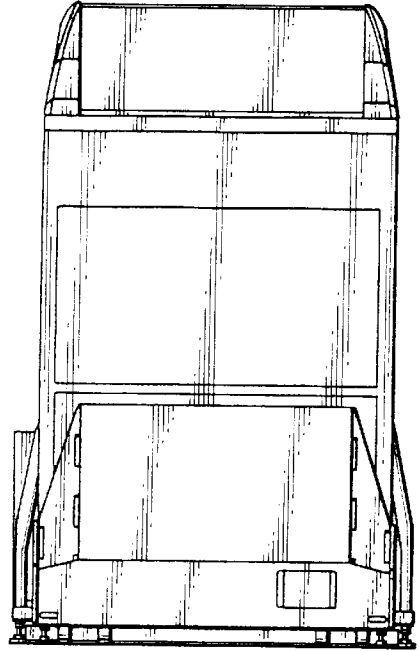


FIG. 3

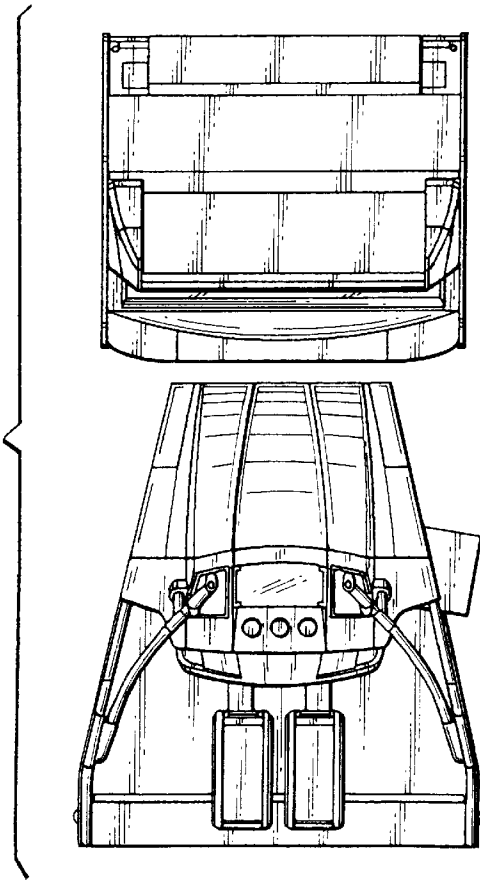


FIG. 4

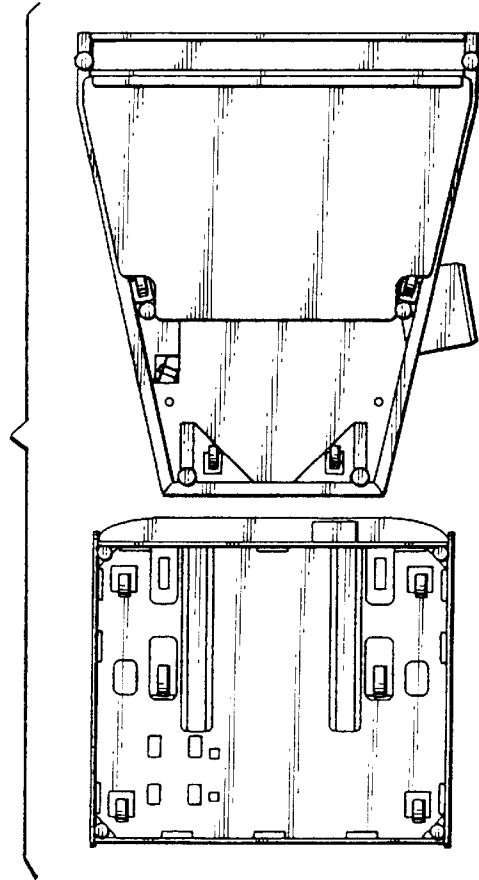


FIG. 5

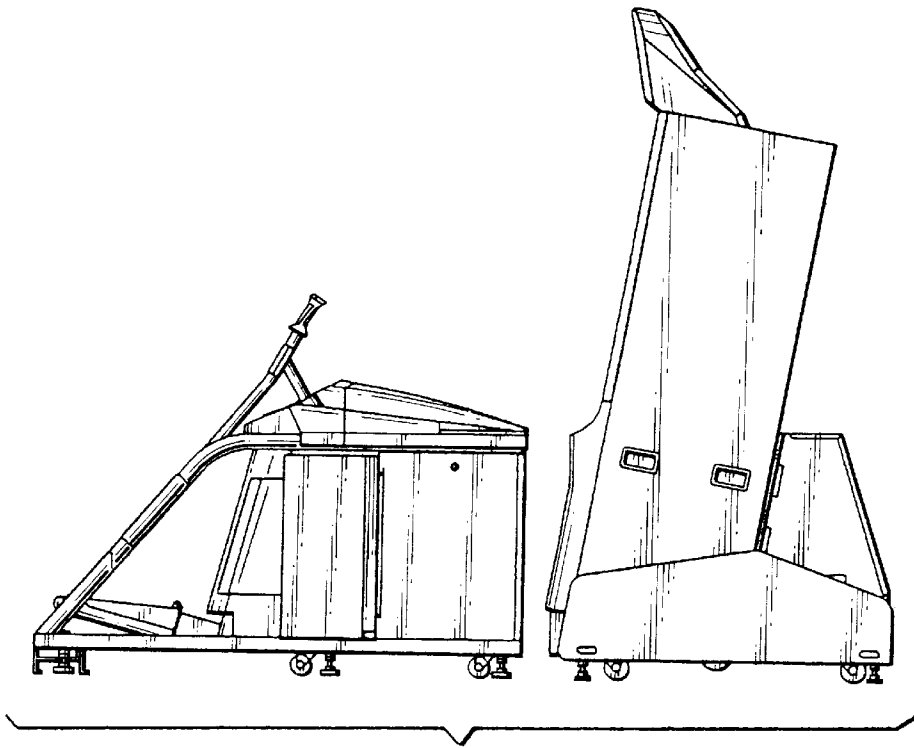


FIG. 6

