



US00D387099S

United States Patent [19]

Kusumi et al.

[11] Patent Number: Des. 387,099

[45] Date of Patent: **Dec. 2, 1997

[54] CYLINDRICAL TRACK FOR TOY

[75] Inventors: **Tatsuo Kusumi; Akira Takasaka**, both of Tokyo, Japan

[73] Assignee: **Sega Enterprises, Ltd.**, Japan

[**] Term: **14 Years**

[21] Appl. No.: **45,586**

[22] Filed: **Oct. 24, 1995**

[30] Foreign Application Priority Data

Apr. 25, 1995 [JP] Japan 7-11661

[51] LOC (6) Cl. **21-01**

[52] U.S. Cl. **D21/143**

[58] Field of Search D21/143, 59, 109; 446/168, 444, 445, 446, 447

[56] References Cited

U.S. PATENT DOCUMENTS

D. 226,957	5/1973	Arai	D21/143
D. 306,885	3/1990	Koch	D21/143
4,251,949	2/1981	Buck et al.	446/444
4,516,953	5/1985	Hippely et al.	446/444
4,720,283	1/1988	William et al.	D21/143

OTHER PUBLICATIONS

Photocopy of the other design of the common assignee of this application. Sega Enterprises, Ltd. Feb., 1995 (SN 29/042499).

Primary Examiner—Raphael Barkai
Attorney, Agent, or Firm—Ladas & Parry

[57] CLAIM

The ornamental design for a cylindrical track for toy, as shown and described.

DESCRIPTION

FIG. 1 is a perspective view of a cylindrical track for toy showing our new design; FIG. 2 is a front view thereof; FIG. 3 is a rear view thereof; FIG. 4 is a top view thereof; FIG. 5 is a bottom view thereof; FIG. 6 is a left side view thereof; FIG. 7 is a right side view thereof; and, FIG. 8 is a perspective view thereof in an alternate position, the broken line showing of the vehicles and vehicle holders is for illustrative purposes only and forms no part of the claimed design.

1 Claim, 7 Drawing Sheets

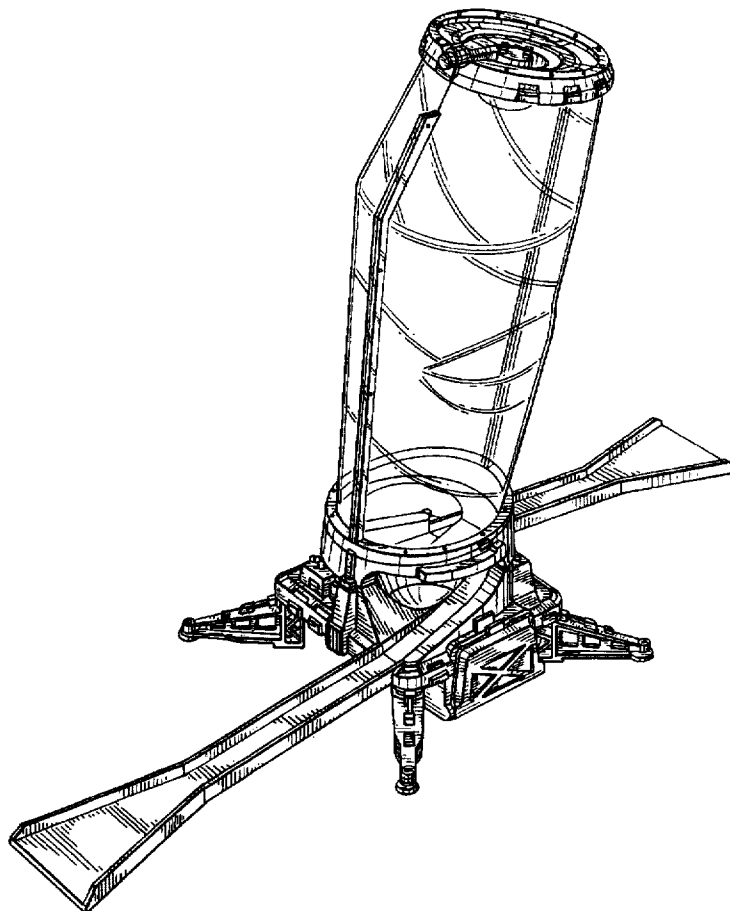
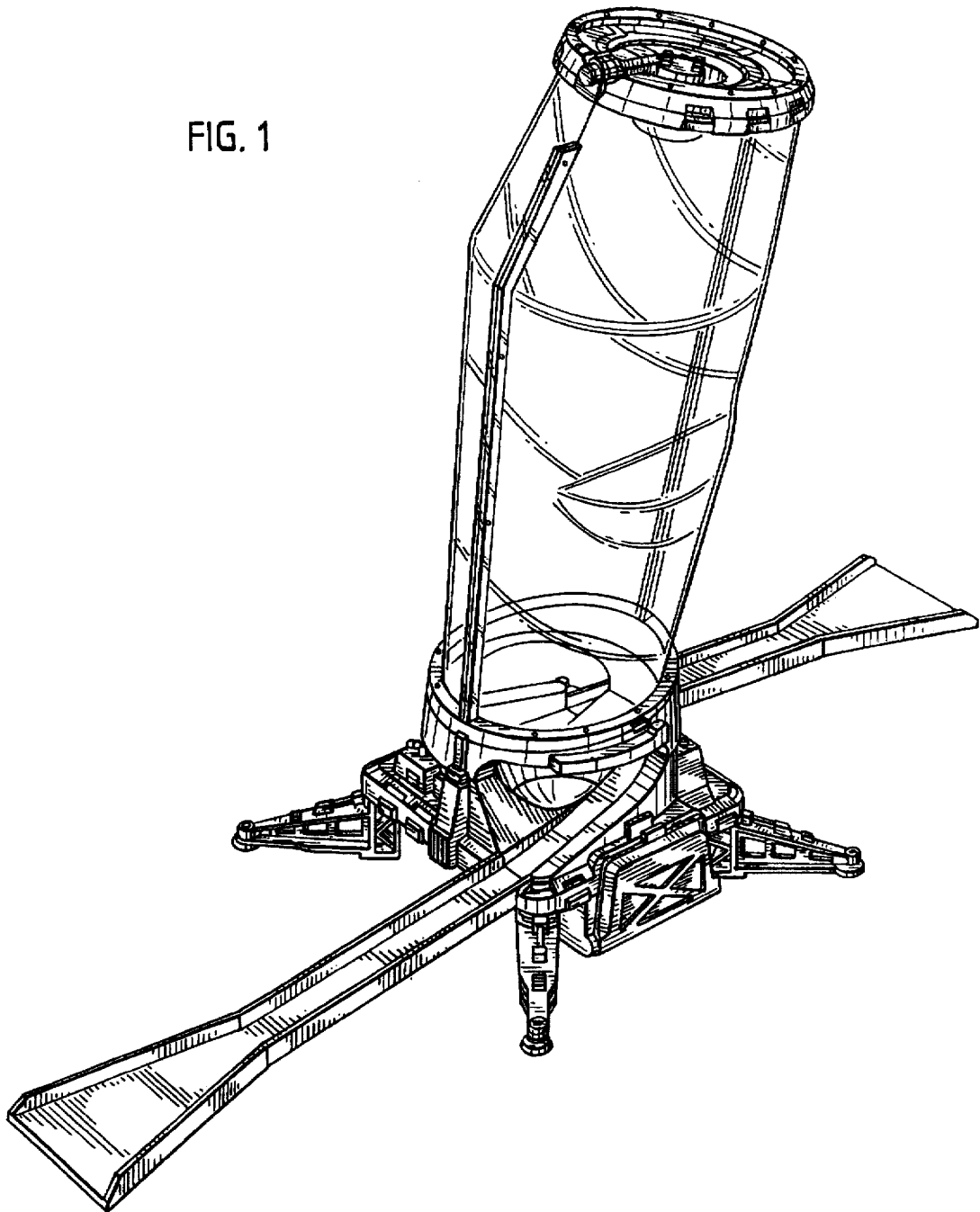


FIG. 1



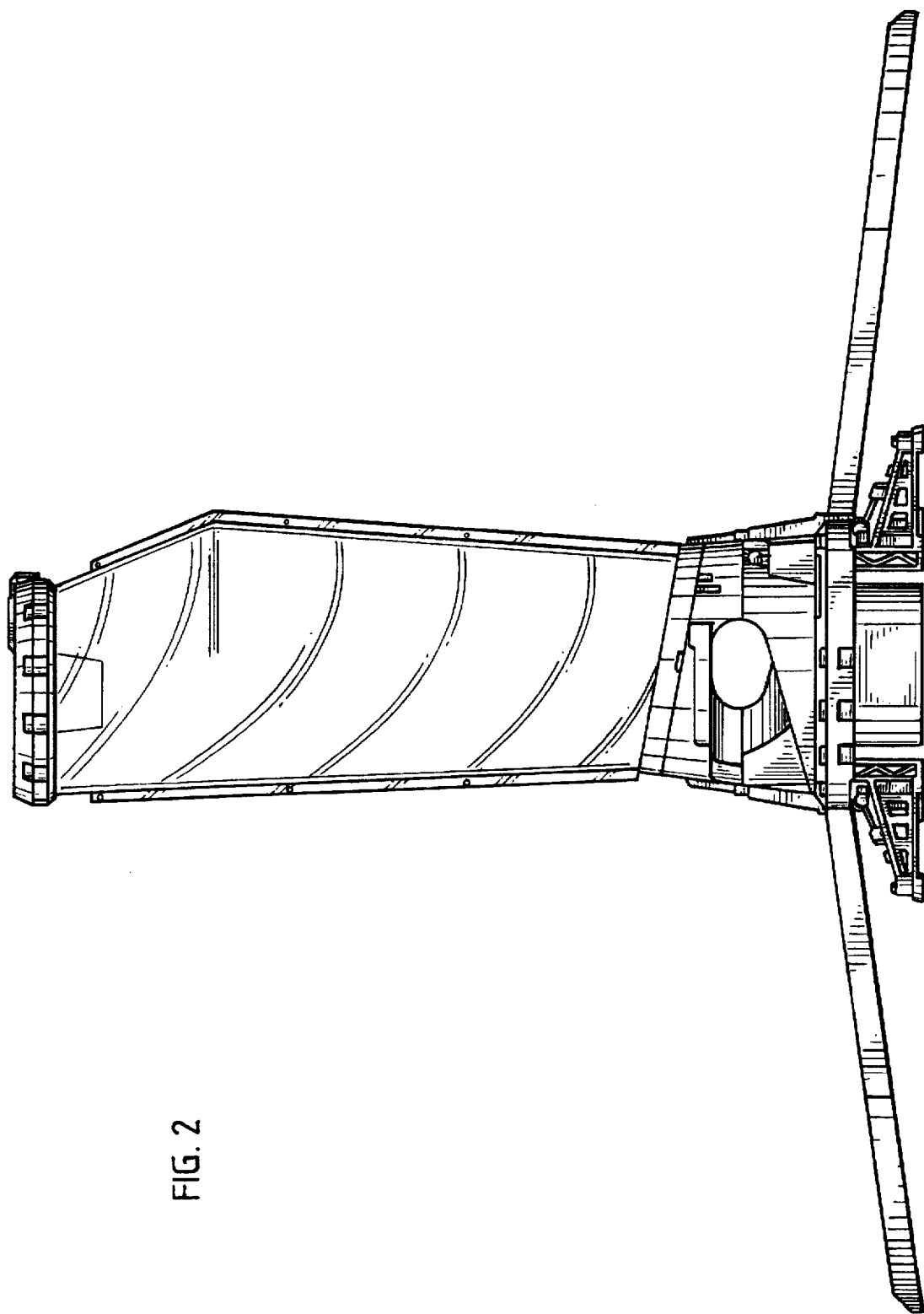


FIG. 2

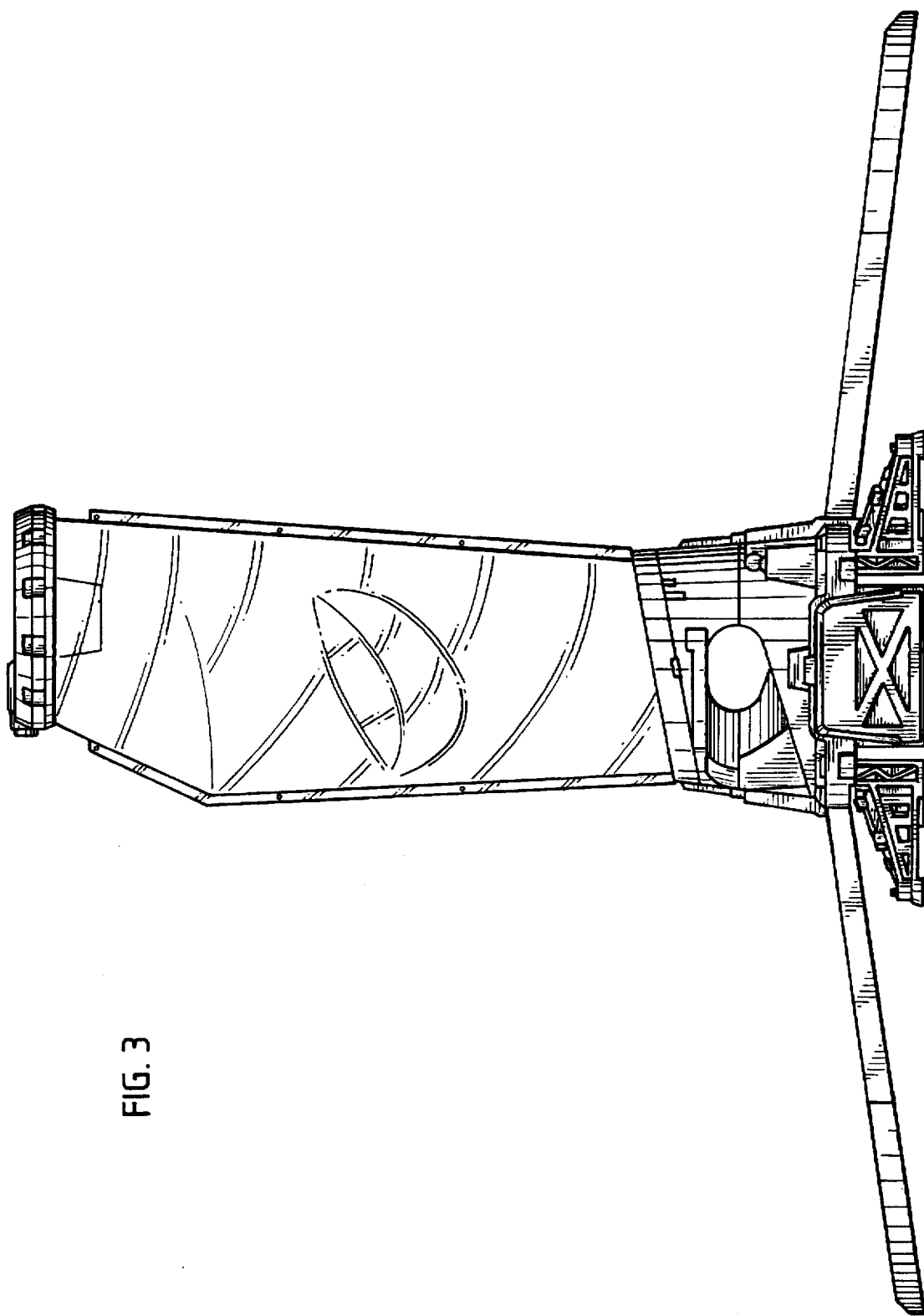


FIG. 3

FIG. 4

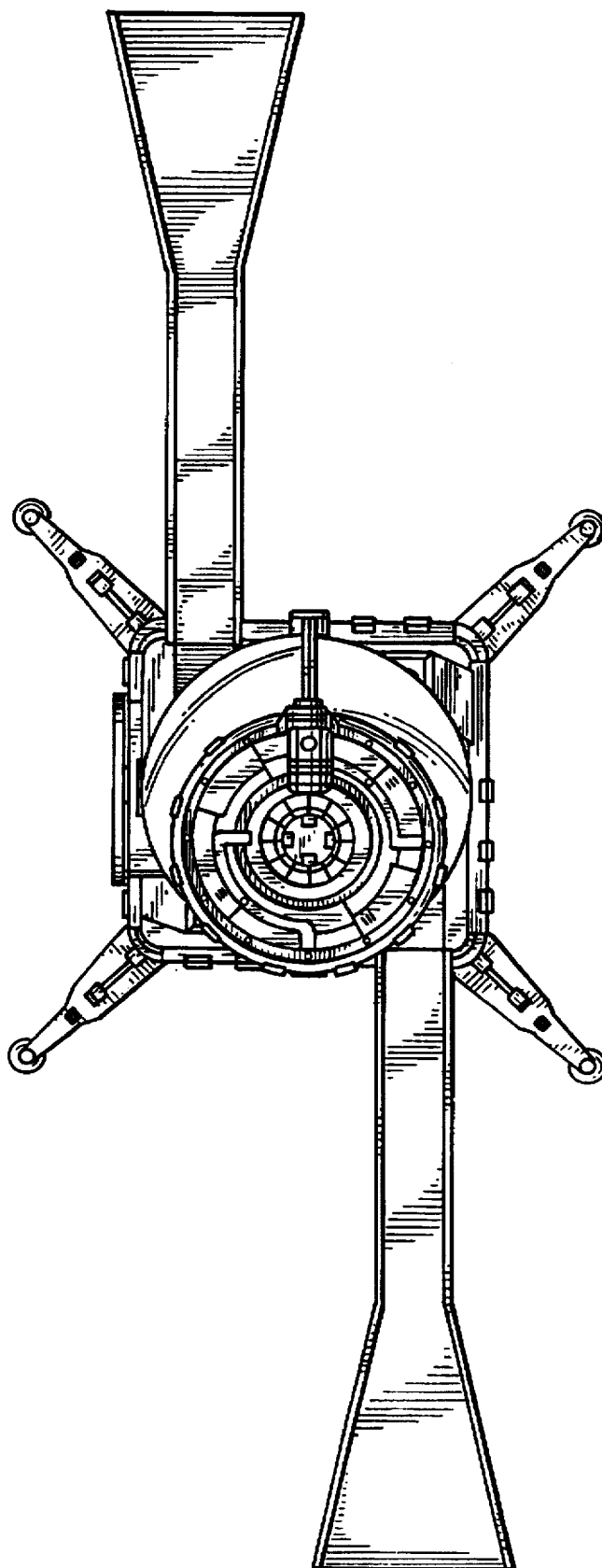
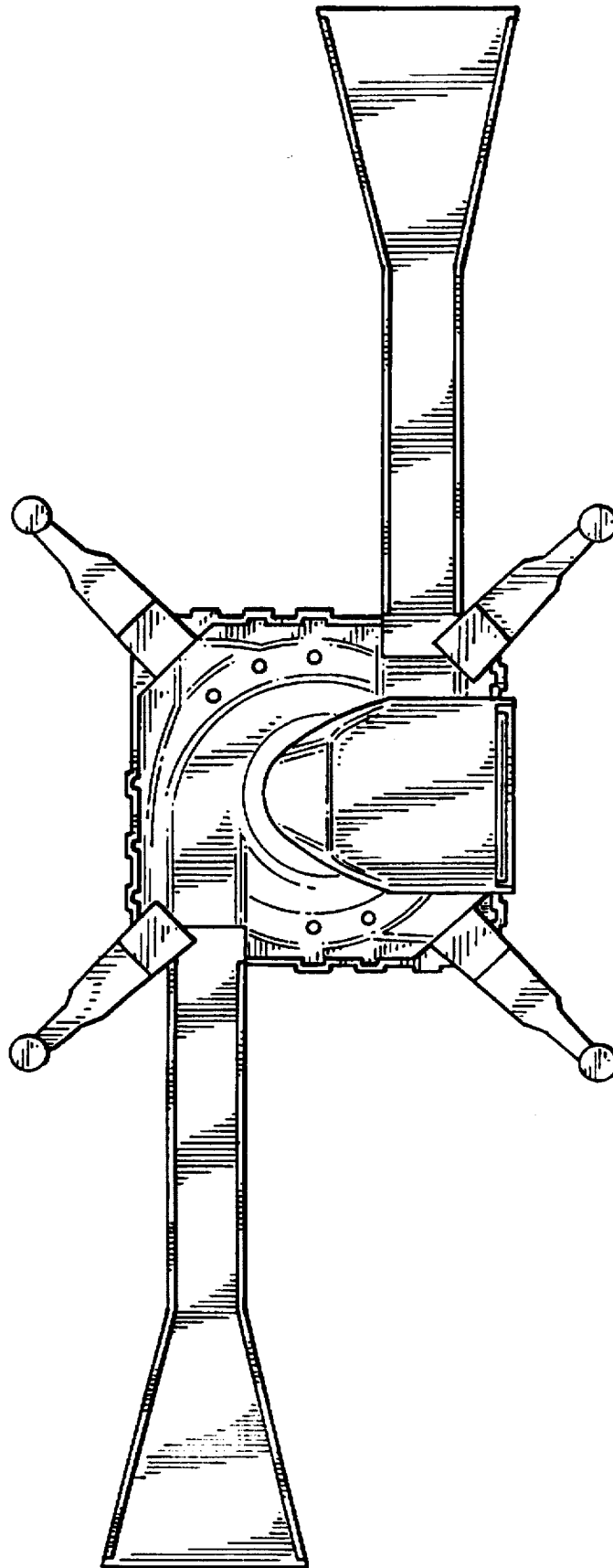


FIG. 5



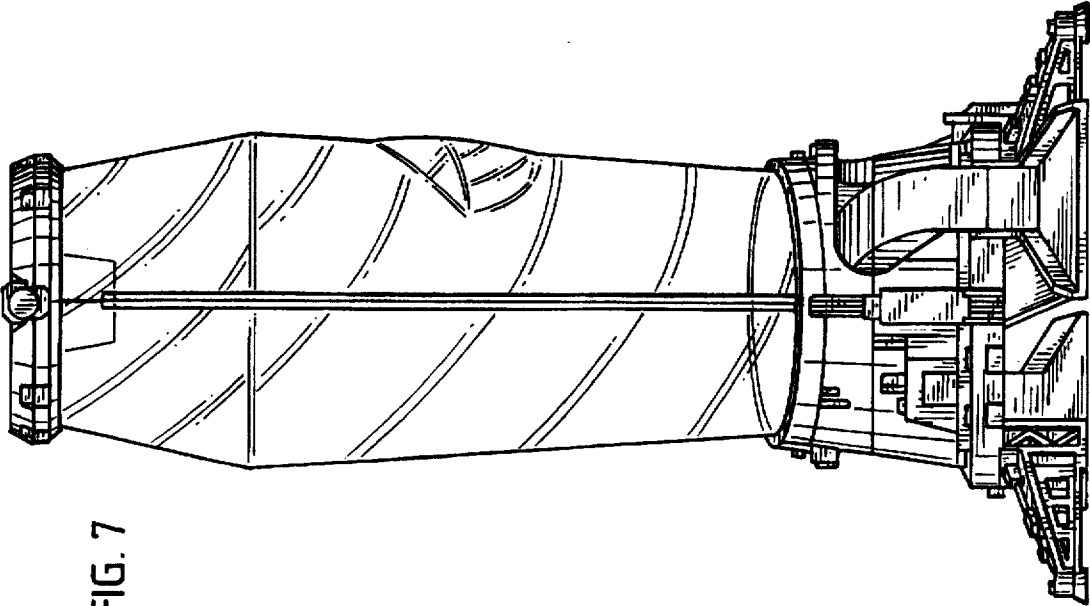


FIG. 7

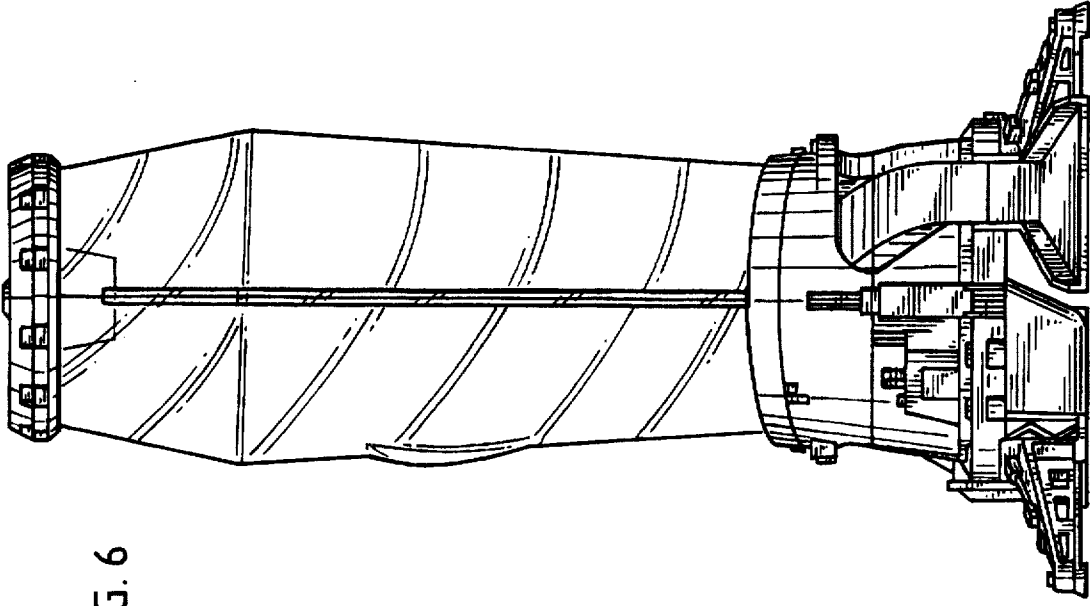


FIG. 6

FIG. 8

