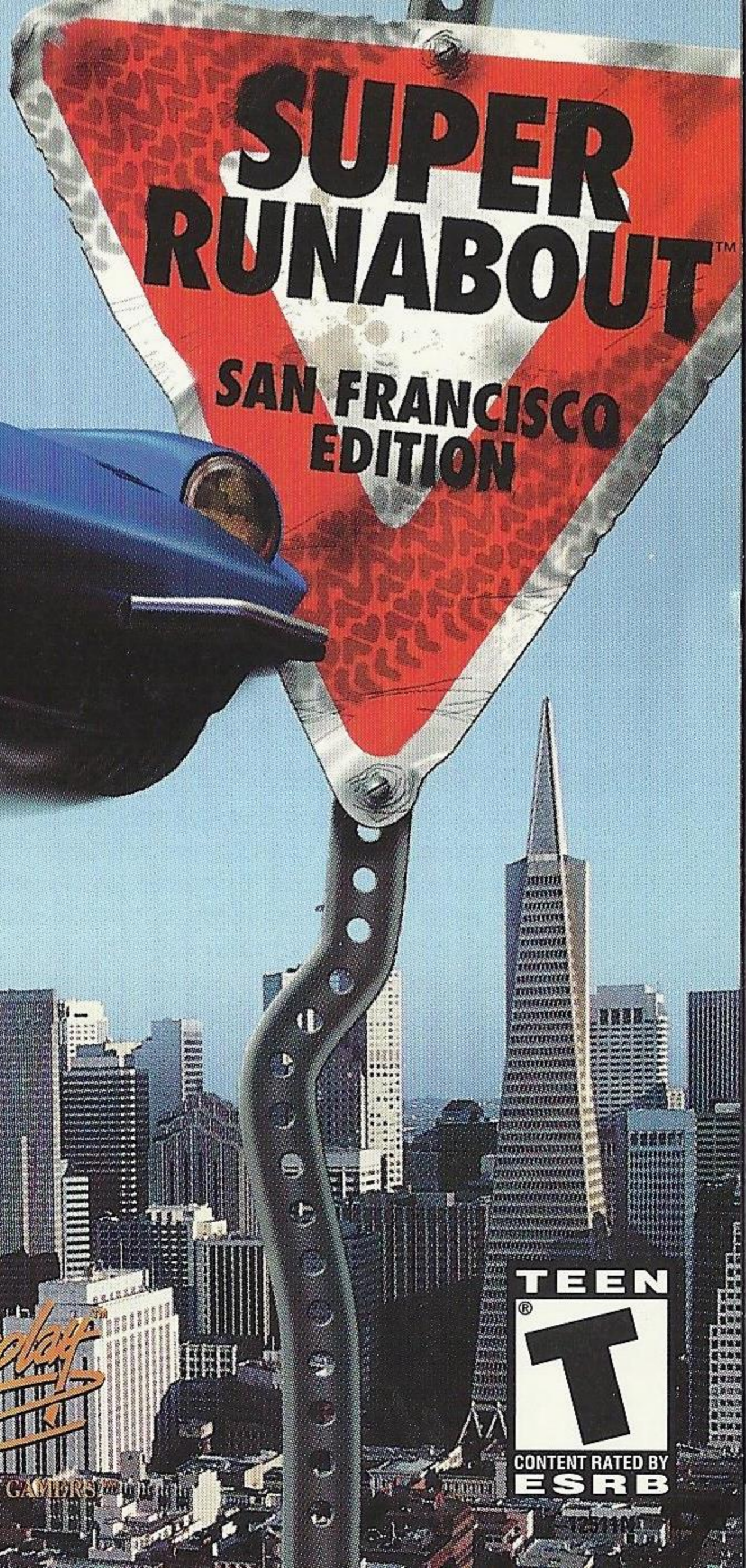
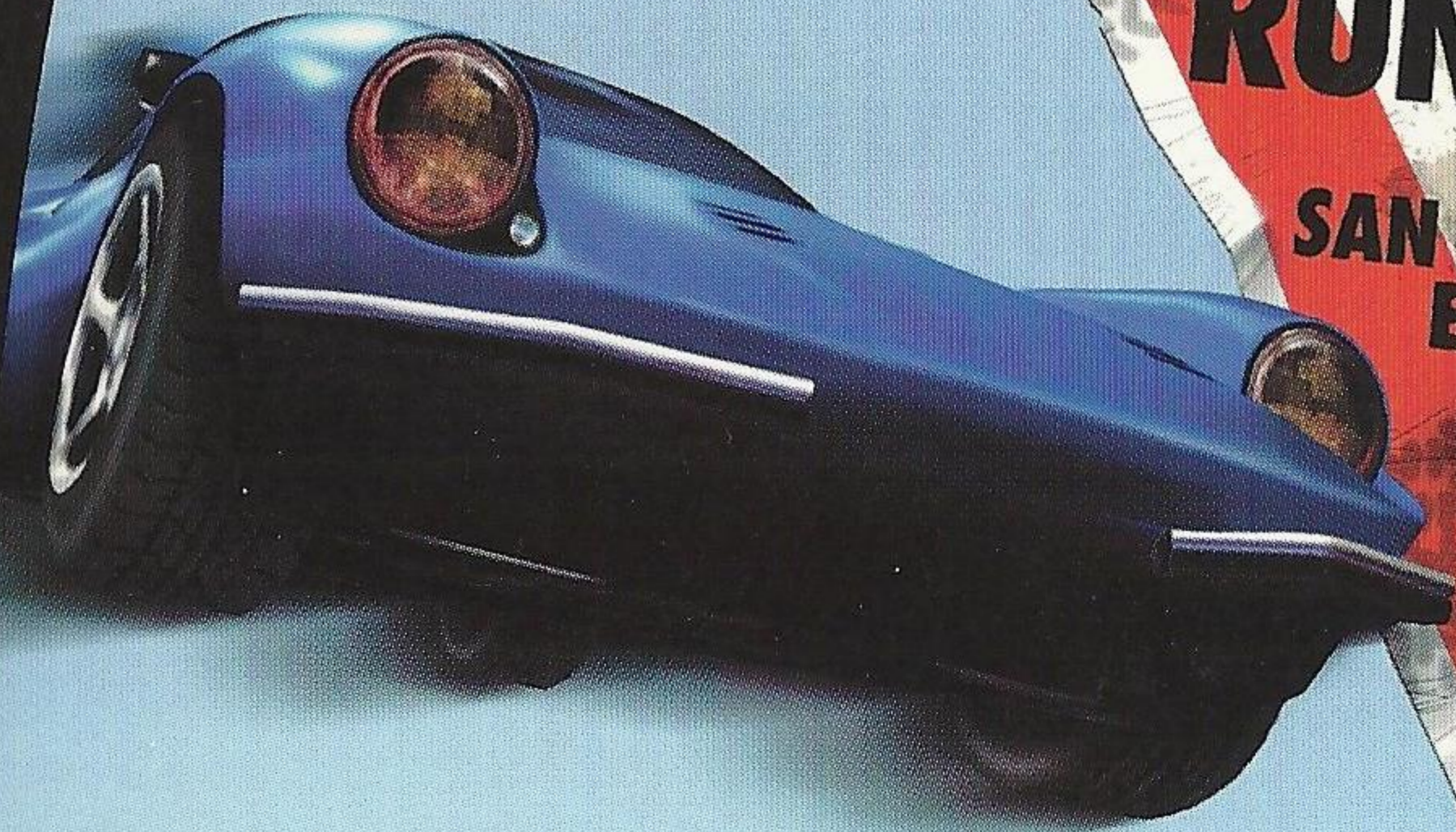


Dreamcast™



SUPER RUNABOUT™

SAN FRANCISCO
EDITION



Interplay

BY GAMERS FOR GAMERS

TEEN



CONTENT RATED BY
ESRB

WARNINGS Read Before Using Your Sega Dreamcast Video Game System

CAUTION

Anyone who uses the Sega Dreamcast should read the operating manual for the software and console before operating them. A responsible adult should read these manuals together with any minors who will use the Sega Dreamcast before the minor uses it.

HEALTH AND EPILEPSY WARNING

Some small number of people are susceptible to epileptic seizures or loss of consciousness when exposed to certain flashing lights or light patterns that they encounter in everyday life, such as those in certain television images or video games. These seizures or loss of consciousness may occur even if the person has never had an epileptic seizure.

If you or anyone in your family has ever had symptoms related to epilepsy when exposed to flashing lights, consult your doctor prior to using Sega Dreamcast.

In all cases, parents should monitor the use of video games by their children. If any player experiences dizziness, blurred vision, eye or muscle twitches, loss of consciousness, disorientation, any involuntary movement or convulsion, **IMMEDIATELY DISCONTINUE USE AND CONSULT YOUR DOCTOR BEFORE RESUMING PLAY.**

To reduce the possibility of such symptoms, the operator must follow these safety precautions at all times when using Sega Dreamcast:

- Sit a minimum of 6.5 feet away from the television screen. This should be as far as the length of the controller cable.
- Do not play if you are tired or have not had much sleep.
- Make sure that the room in which you are playing has all the lights on and is well lit.
- Stop playing video games for at least ten to twenty minutes per hour. This will rest your eyes, neck, arms and fingers so that you can continue comfortably playing the game in the future.

OPERATING PRECAUTIONS

To prevent personal injury, property damage or malfunction:

- Before removing disc, be sure it has stopped spinning.
- The Sega Dreamcast GD-ROM disc is intended for use exclusively on the Sega Dreamcast video game system. Do not use this disc in anything other than a Sega Dreamcast console, especially not in a CD player.
- Do not allow fingerprints or dirt on either side of the disc.
- Avoid bending the disc. Do not touch, smudge or scratch its surface.
- Do not modify or enlarge the center hole of the disc or use a disc that is cracked, modified or repaired with adhesive tape.
- Do not write on or apply anything to either side of the disc.
- Store the disc in its original case and do not expose it to high temperature and humidity.
- Do not leave the disc in direct sunlight or near a radiator or other source of heat.
- Use lens cleaner and a soft dry cloth to clean disc, wiping gently from the center to the edge. Never use chemicals such as benzene and paint thinner to clean disc.

PROJECTION TELEVISION WARNING

Still pictures or images may cause permanent picture tube damage or mark the phosphor of the CRT. Avoid repeated or extended use of video games on large-screen projection televisions.

SEGA DREAMCAST VIDEO GAME USE

This GD-ROM can only be used with the Sega Dreamcast video game system. Do not attempt to play this GD-ROM on any other CD player; doing so may damage the headphones and/or speakers. This game is licensed for home play on the Sega Dreamcast video game system only. Unauthorized copying, reproduction, rental, public performance of this game is a violation of applicable laws. The characters and events portrayed in this game are purely fictional. Any similarity to other persons, living or dead, is purely coincidental.

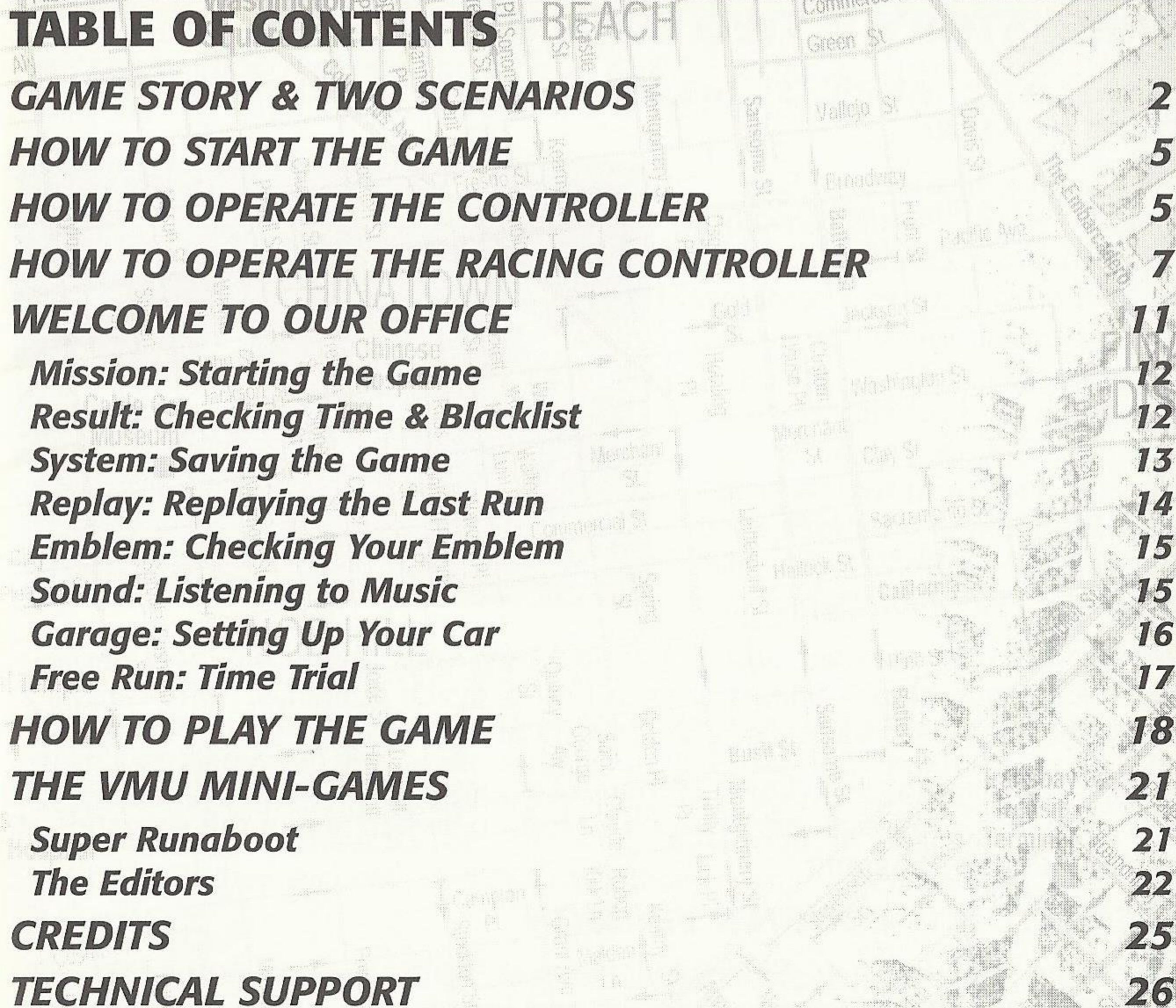


TABLE OF CONTENTS	
GAME STORY & TWO SCENARIOS	2
HOW TO START THE GAME	5
HOW TO OPERATE THE CONTROLLER	5
HOW TO OPERATE THE RACING CONTROLLER	7
WELCOME TO OUR OFFICE	11
<i>Mission: Starting the Game</i>	12
<i>Result: Checking Time & Blacklist</i>	12
<i>System: Saving the Game</i>	13
<i>Replay: Replaying the Last Run</i>	14
<i>Emblem: Checking Your Emblem</i>	15
<i>Sound: Listening to Music</i>	15
<i>Garage: Setting Up Your Car</i>	16
<i>Free Run: Time Trial</i>	17
HOW TO PLAY THE GAME	18
THE VMU MINI-GAMES	21
<i>Super Runaboot</i>	21
<i>The Editors</i>	22
CREDITS	25
TECHNICAL SUPPORT	26

Welcome to "Super Runabout™: San Francisco Edition." This software is designed for use only with the Dreamcast console. Please read this instruction manual carefully before you start playing the game.

GAME STORY & TWO SCENARIOS

TO HELL WITH THE RULES! THE ROADS BELONG TO DRIVERS WHO KNOW NO FEAR!

The challenging streets of San Francisco await! Players can choose between two scenarios. One of the scenarios features a semi-legal courier service run by Pop, an old man struggling with a loan repayment, and his streetwise daughter, Shirley. The other scenario deals with two reckless cops, Brandon and Radman, who are trying to be promoted to the Criminal Investigation Department.



To complete their missions and gather up a few 'emblems' along the way, you'll risk death, blazing flames or even driving inside buildings. Who cares if a few traffic laws get broken along the way, right?

Choose your hero by selecting a scenario. The basic rules of the game apply to both scenarios. You can switch back and forth between any of the scenarios at any time during the game.

SCENARIO A: COURIER VERSION

After being gone for years, Shirley reappears at Pop's run-down auto shop. She offers to work in exchange for room and board. Pop, who is currently in debt to the local crime boss, Waldman, accepts her help as a courier. Their goal – do what it takes to free Pop from Waldman's influence!

UNCLE JOE

Joe's an old buddy of Pop and a highly skilled mechanic. When he's not helping out Pop, Joe sometimes takes police and military related assignments as well.

POP

Pop's a shrewd courier, if a little unscrupulous, who is rumored to have once been an ex-F1 race car driver. Recently, he gave up a lifelong habit of smoking, thanks to the threats of his daughter.

SHIRLEY

Pop's daughter is a young, street savvy girl who has decided to drop back into town to attend school.

WALDMAN

Waldman is a politician who excels at covering up his true occupation as a powerful crime boss in San Francisco. Those who know the truth about him rarely survive long enough to turn him in.

SCENARIO B: POLICE VERSION

Police Officers Brandon and Radman have reached a dead end in their jobs; stuck as traffic cops, they really want to work for the Criminal Investigation Department. Thankfully, an opportunity presents itself when the Chief of the Department gives them the order to shut down a certain illegal courier business. If they succeed, perhaps their dream can then come true!

CHIEF

The Chief's sole pleasure in life is golfing in his office. His biggest problem is Brandon and Radman!

BRANDON

Brandon is a scrupulously honest ex-Karate champion, who considers driving to be a hobby of his.

RADMAN

Brandon's partner, Radman, once aspired to be a NBA player, before giving up his career to join the "boys in blue."

RACING IN SAN FRANCISCO

Picturesque San Francisco is a beautiful city with neat rows of Victorian style buildings and many famous sightseeing spots such as Chinatown, the Golden Gate Bridge and Alcatraz Island. You can enjoy these spots during the game, especially when you travel through them at excessively high speeds.

Actual San Francisco streets were reproduced for this game and some original streets added in as well.



HOW TO START THE GAME

SHALL WE BEGIN?

Super Runabout is a single-player game. Before turning the Sega Dreamcast power ON, connect the controller or other peripheral equipment into the control ports of the Sega Dreamcast. When you click the Start Button in the Title Screen, the Menu Screen is displayed. If you are a first time player, choose "NEW GAME". If you want to load and continue a previously saved game, choose "LOAD GAME".

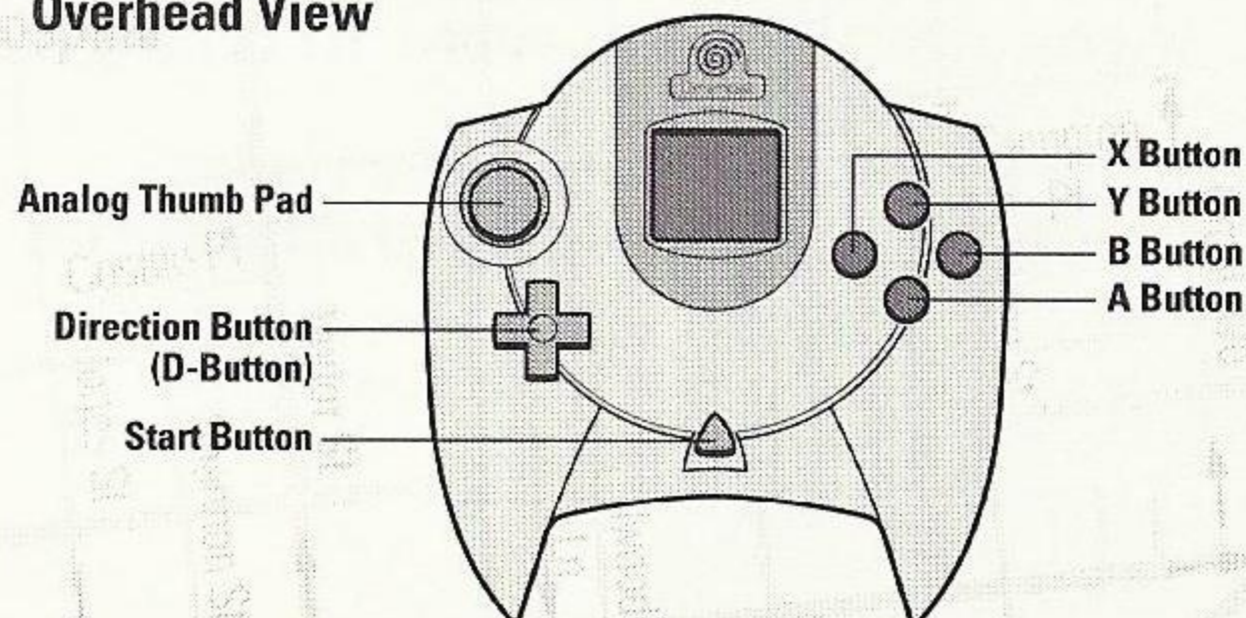


Use the Directional Button to navigate through the Menu screens and press the A Button to select an appropriate menu item.

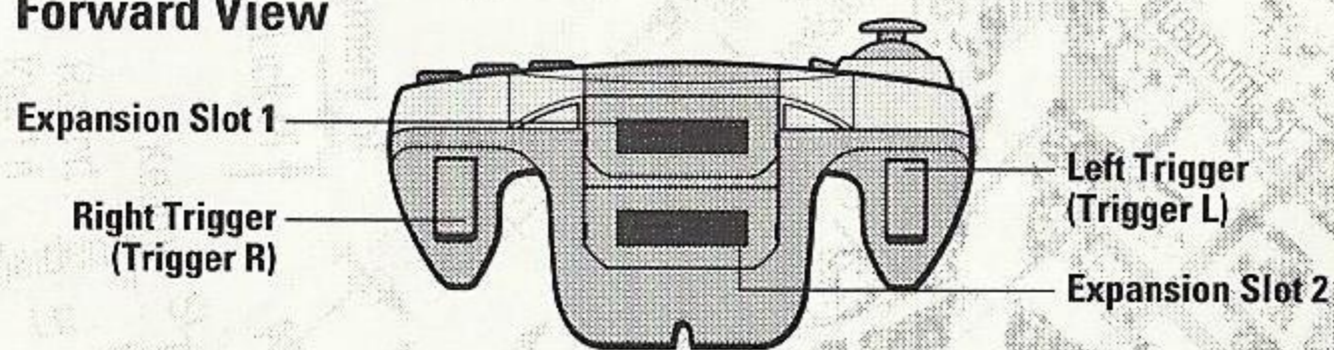
HOW TO OPERATE THE SEGA DREAMCAST CONTROLLER

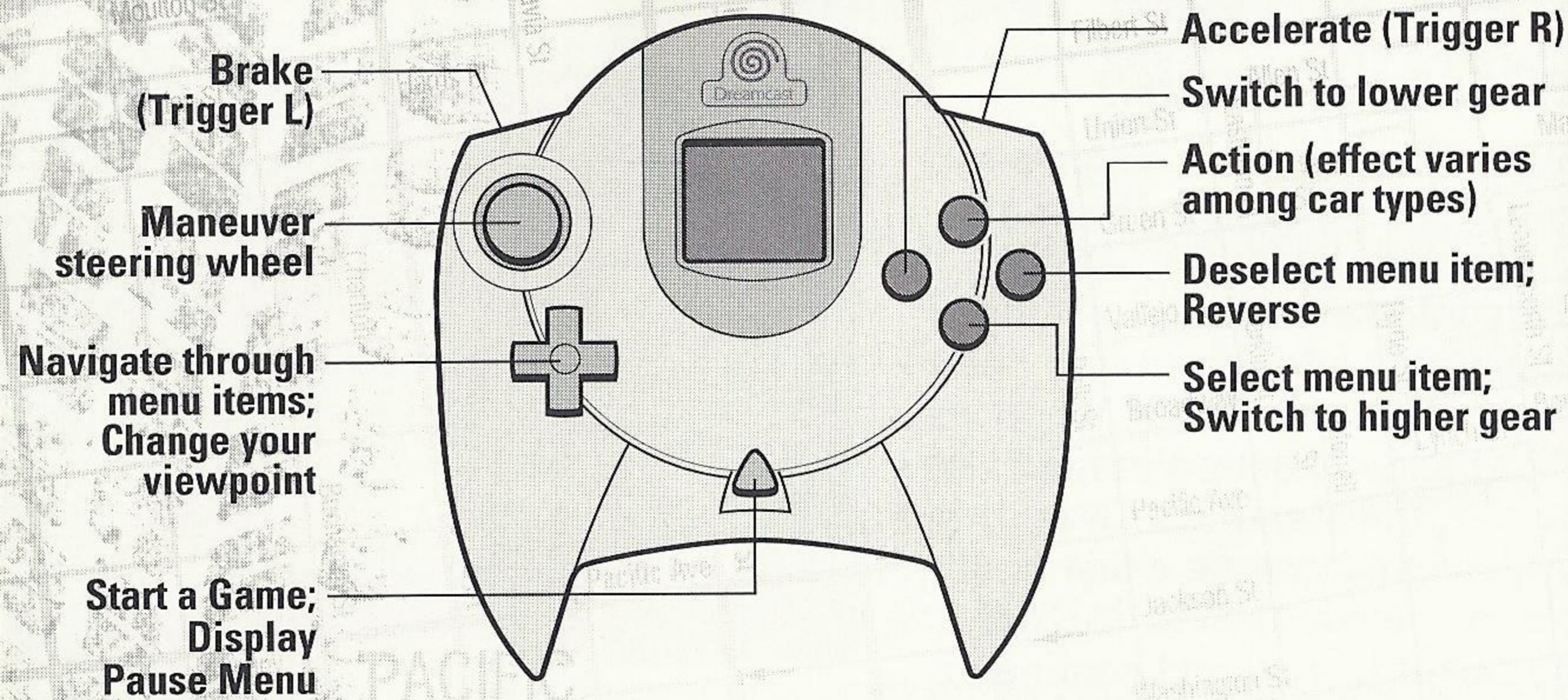
(Only Sega Dreamcast Licensed Controllers and Peripherals are supported.)

Overhead View



Forward View





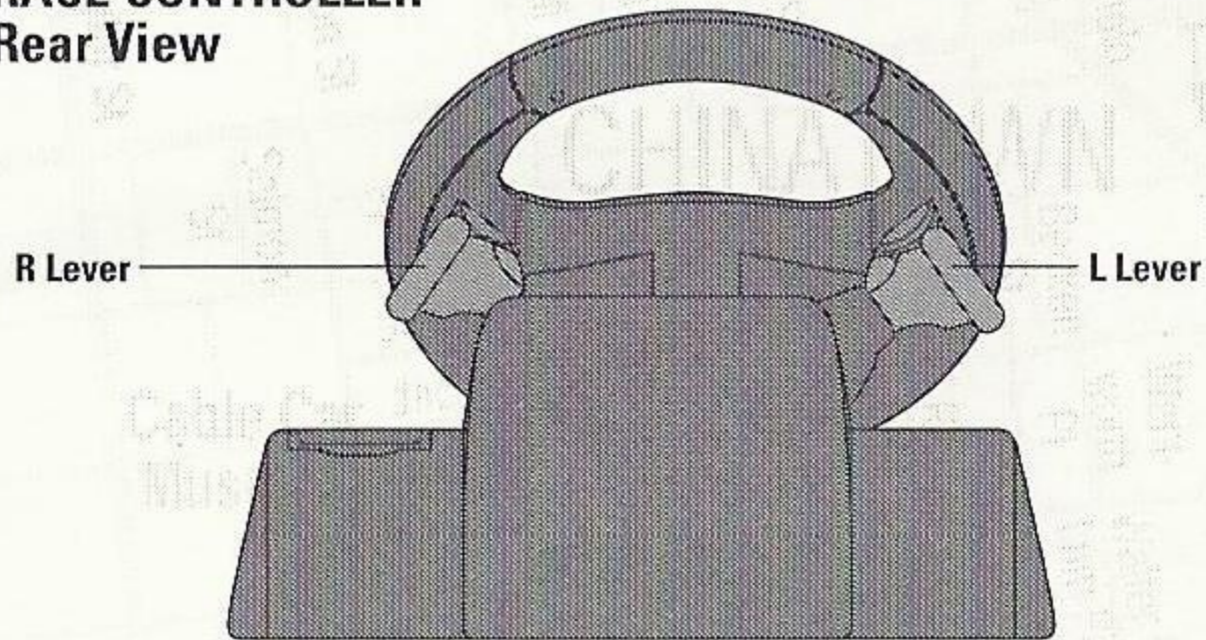
- * To return to the Title Screen at any point during game play, simultaneously press and hold the A,B,X,Y and Start Buttons. This will cause the Sega Dreamcast to soft-reset the software and display the title screen.
- * Never touch the Analog Thumb Pad or Triggers L/R while turning the Sega Dreamcast power ON. Doing so may disrupt the controller initialization procedure and result in a malfunction.
- * This table shows the default function of each button. If you want to change the setting, please refer to page 7.
- * If you are using an unsupported controller, we are unable to guarantee that each button will function correctly.

HOW TO OPERATE THE RACING CONTROLLER

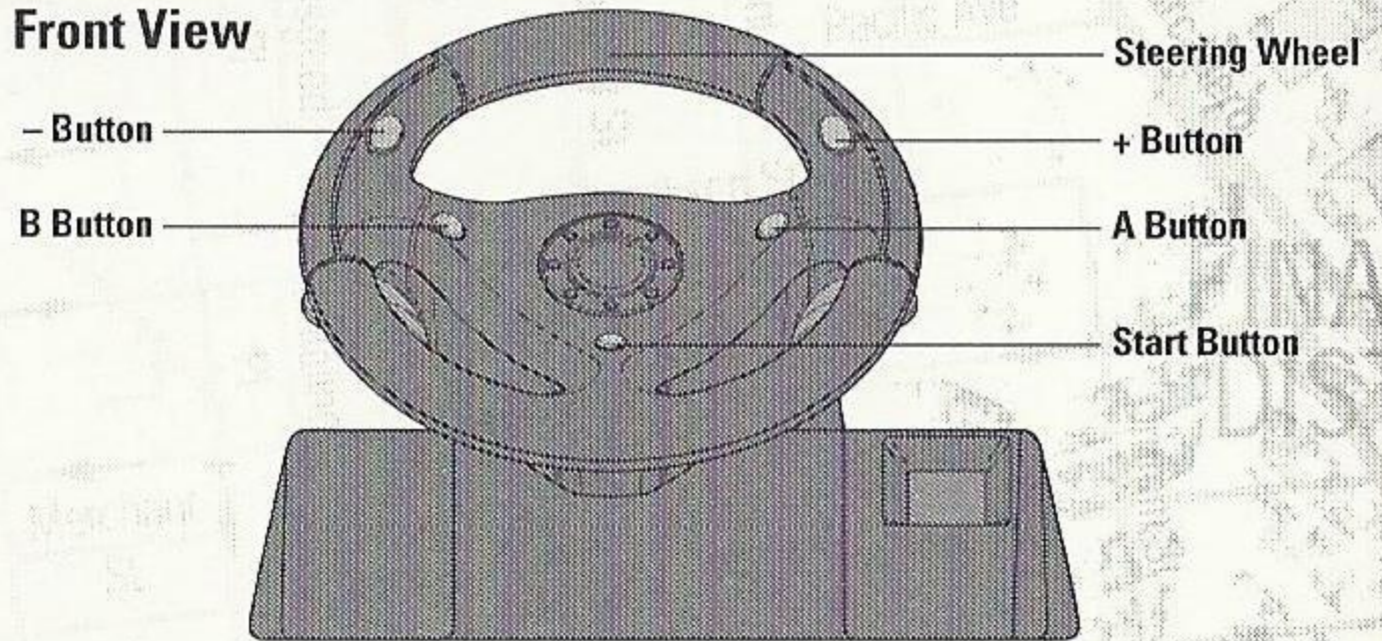
(Only Sega Dreamcast Licensed Controllers and Peripherals are supported.)

You can play the game by using the optional Racing Controller. If you want to change viewpoints, please do so by selecting the View from the Pause Menu.

**RACE CONTROLLER
Rear View**



**RACE CONTROLLER
Front View**



**Navigate through menu items (move to left or right);
Maneuver the Steering Wheel**

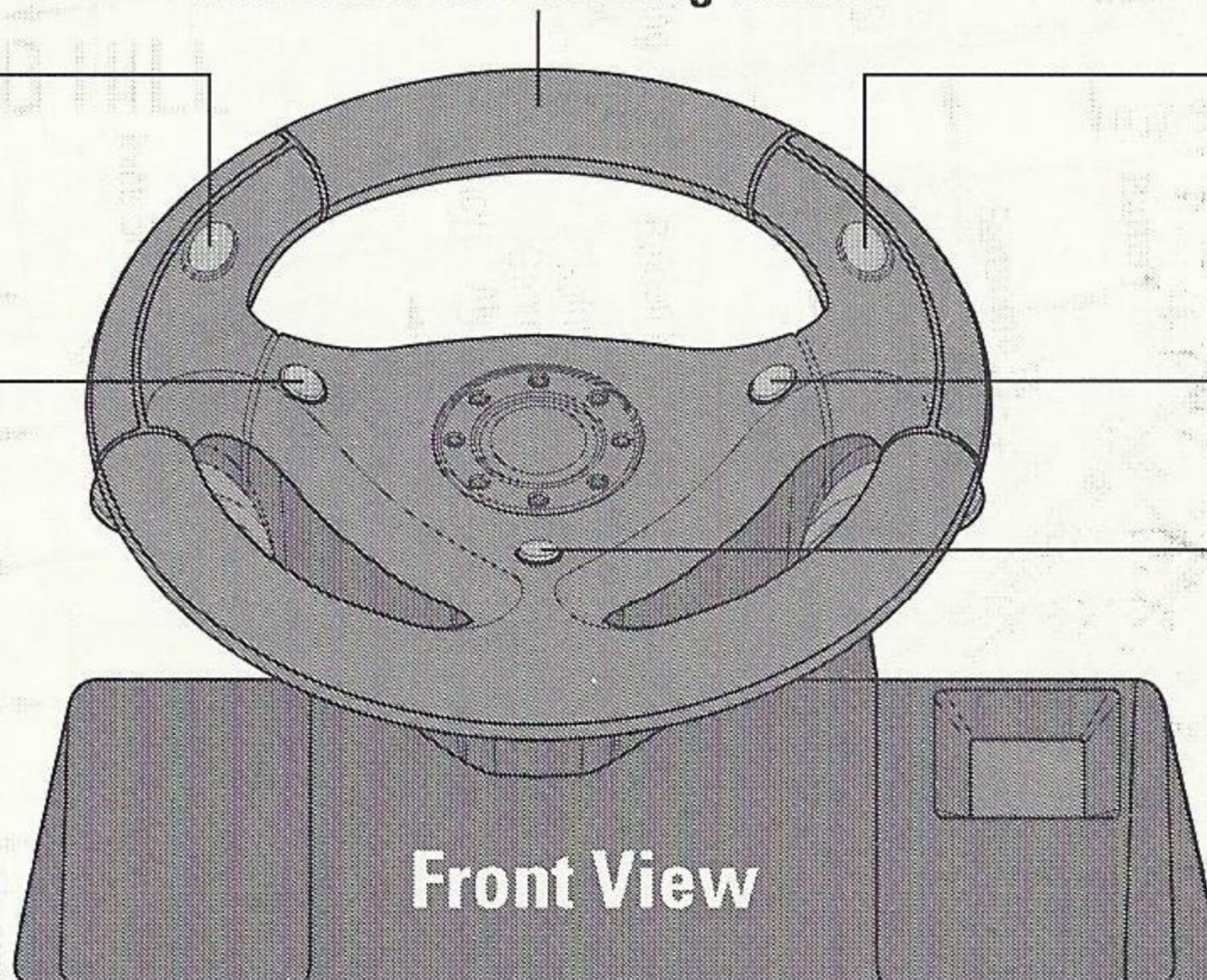
**Navigate through
menu items
(move downward);
switch to a
lower gear**

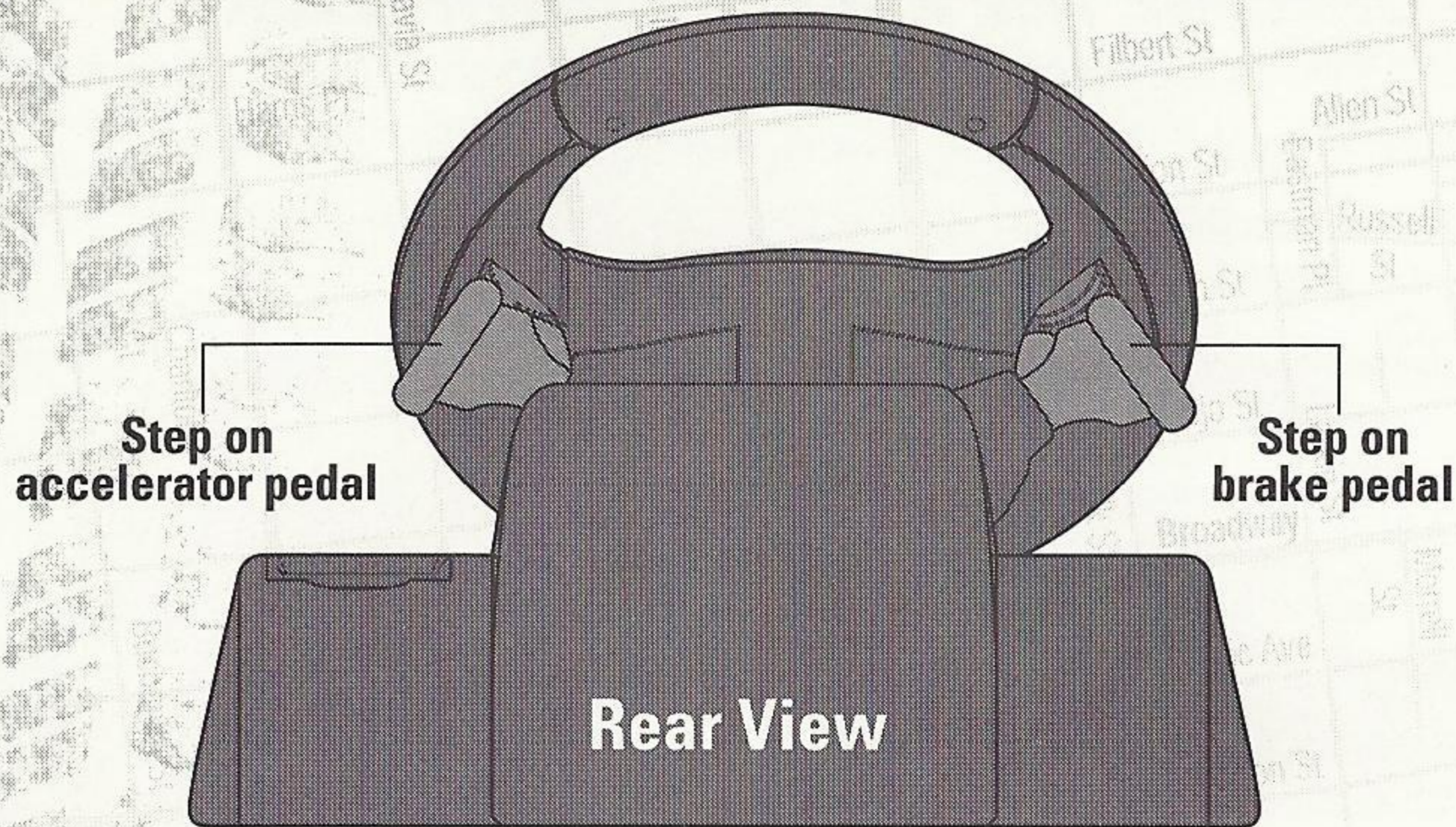
**Navigate through
menu items
(move upward);
switch to a
higher gear**

**Select menu
item; Action**

**Start a game;
Display Pause
Menu**

**Cancel menu
item; Reverse**



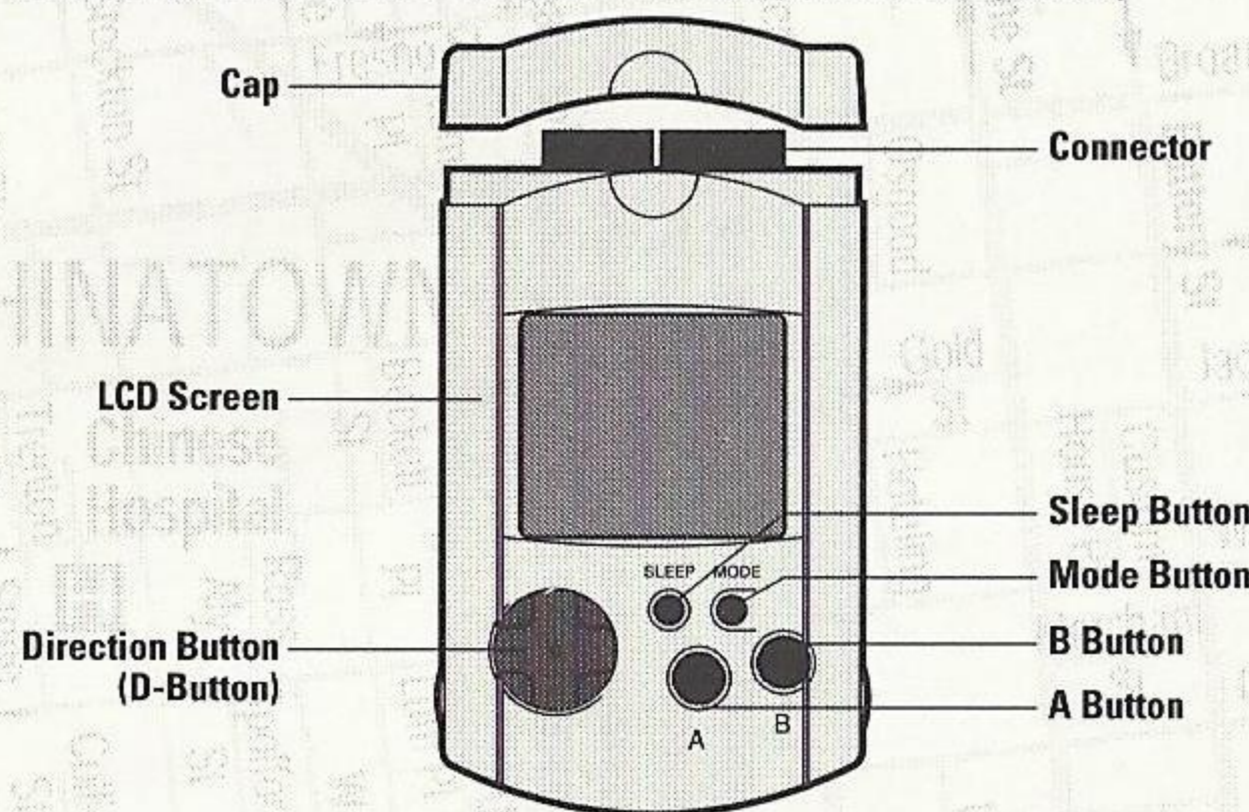


- * To return to the Title Screen at any point during game play, simultaneously press and hold the X, Y, orange flippers and Start Buttons. This will cause the Sega Dreamcast to soft-reset the software and display the Title Screen.
- * When using the Race Controller, never touch the steering wheel or left and right levers when turning the Sega Dreamcast power ON. Doing so may disrupt the initialization procedure and result in malfunction if readjustment is not properly carried out via the Options menu. If the handle or levers are accidentally moved while turning the power ON, immediately turn the power OFF and ON again making sure not to touch the Race Controller.

SAVING THE GAME

You need an optional Sega Dreamcast Visual Memory Unit to save a game.

SEGA DREAMCAST VISUAL MEMORY UNIT (VMU)



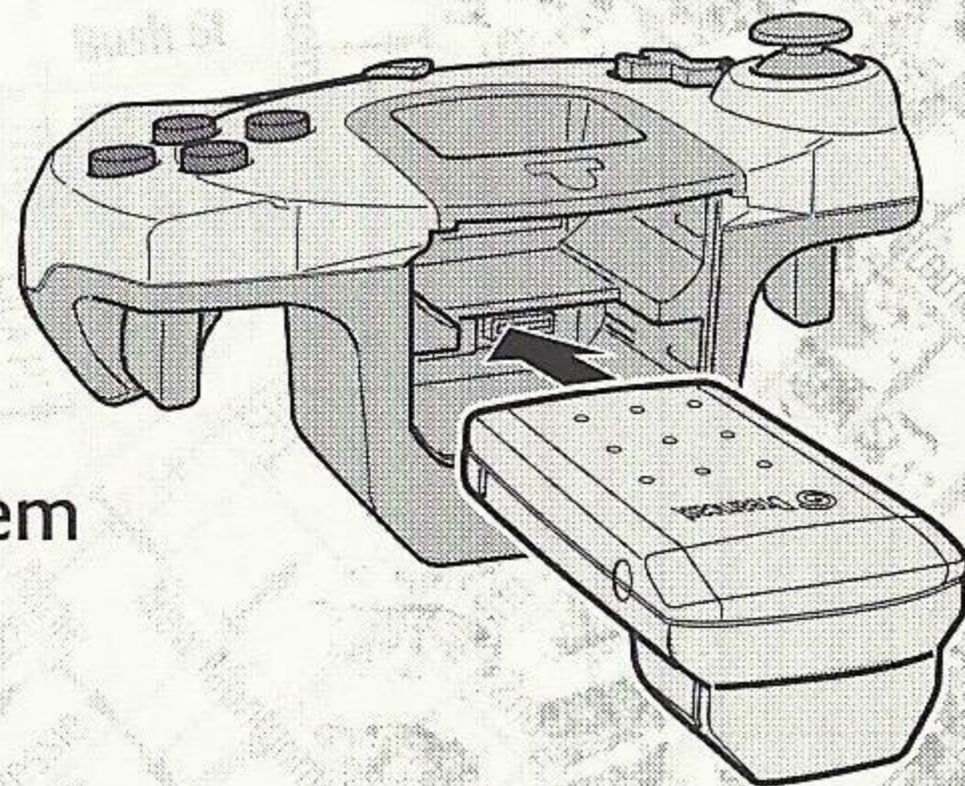
* Visual Memory Game (VM Game)

When you meet certain conditions, you can play a Visual Memory Game.

PERIPHERAL EQUIPMENT - SEGA DREAMCAST JUMP PACK

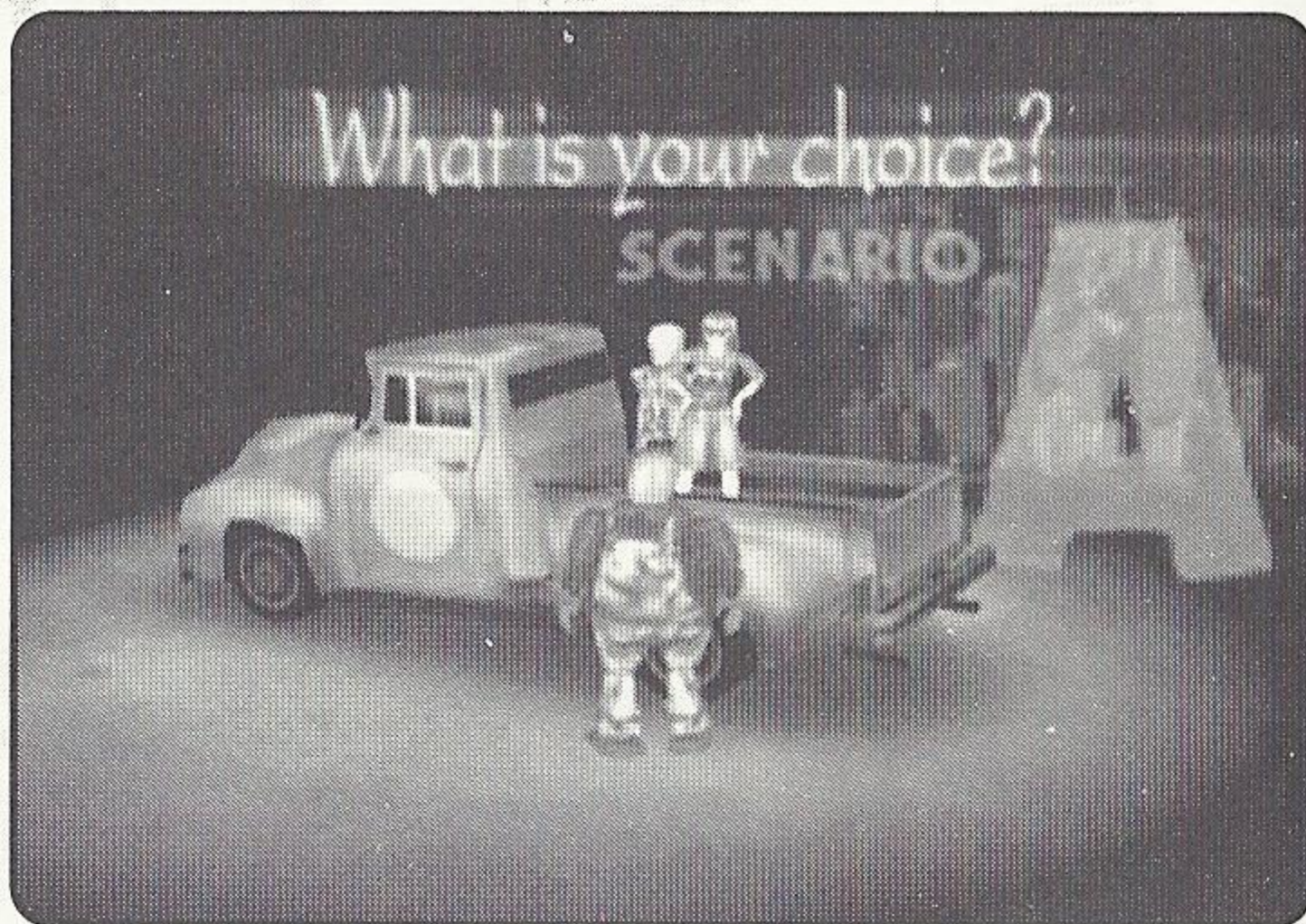
The Sega Dreamcast Jump Pack is supported if you use a Sega Dreamcast Controller to play this game.

Connect the Sega Dreamcast Jump Pack to the Sega Dreamcast Controller's Expansion Socket 2 and turn the Vibration on in the System Menu screen (See page 7).



ABOUT SCENARIO SELECTION

When you choose "New Game" in the Title Menu, you are prompted to enter a name and select a scenario. While available missions and automobiles are different in each scenario, the basic operation remains the same in both games. After you choose a scenario, you are prompted to select a difficulty level at which you want to play the game. Please choose one of the three options presented in the menu.



Use Left or Right Directional Button to choose a scenario that you want to play. There are three difficulty levels with different time limit settings.

OUTLINE OF GAME FLOW

The game proceeds as you complete assigned missions:

Office: You can choose a mission or configure various game settings.

Garage: You can adjust the car's settings or take a test drive.

Mission Description: When you choose a mission, its description is displayed.

Work on Mission: Accomplish your mission goals to successfully complete the mission.

Return to Office: When you complete your mission, you return to the Office.

WELCOME TO OUR OFFICE!!

When you start the game, you are in the Office screen where you can select a mission, set up options, and tune up your car. Use the Left or Right Directional Button to move to your desired menu and select it by pressing the A Button. Please note that the Office screen shows different rooms depending on the scenario you've chosen. However, regardless of the scenario, the available menus and options remain the same.

SCENARIO A

In the Courier scenario, Pop's home is the Office. Select the menu you want to use and continue.

SCENARIO B

In the Police version, the 31st Precinct of San Francisco Police Department is the Office. The menu content is exactly the same as the Courier version.



MISSION

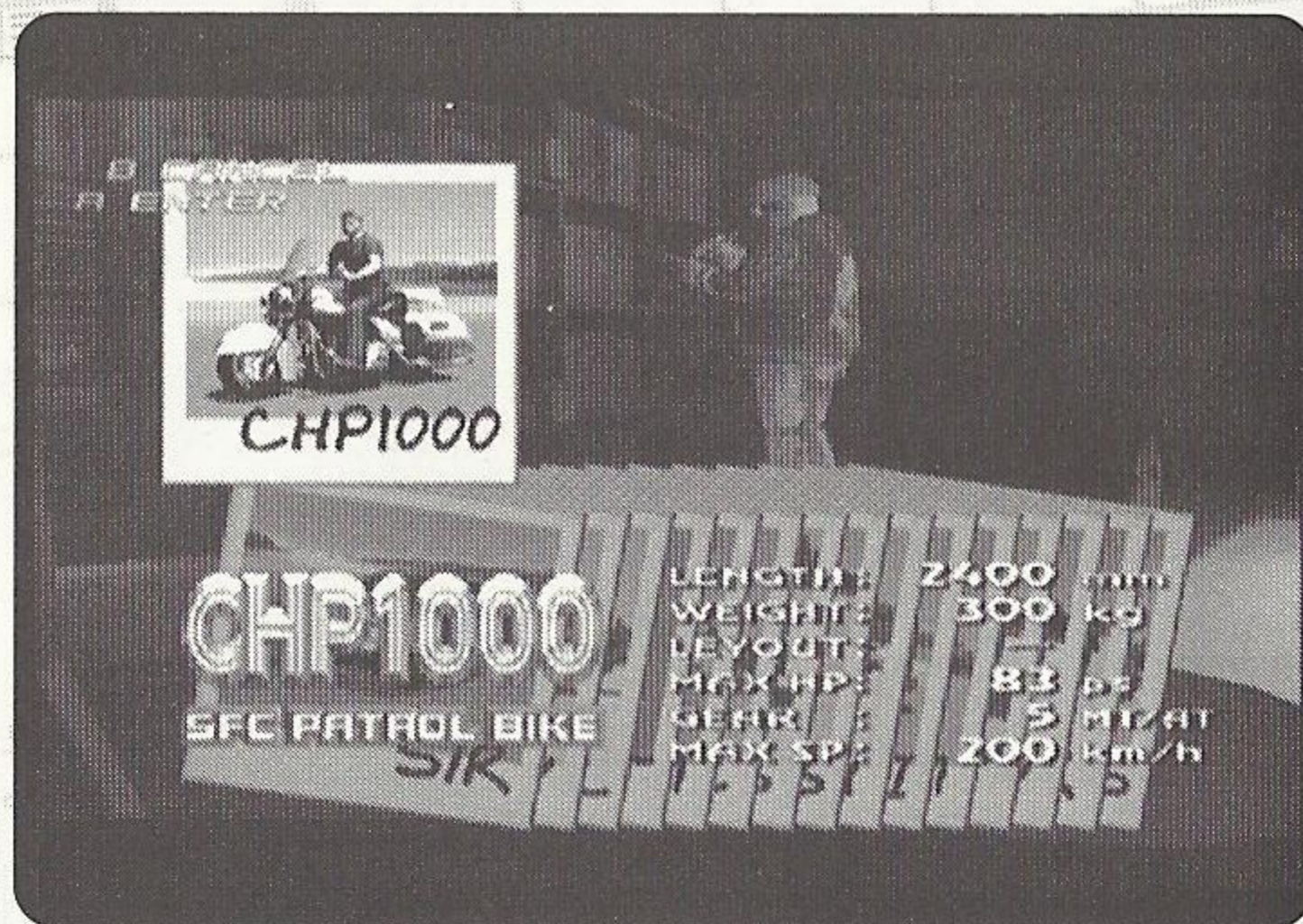
STARTING THE GAME

When you select this menu, two sub-menus appear: the MISSION SELECT menu from which you can select a mission and start the game, and the SCENARIO CHANGE menu where you can change scenarios. Select a mission from the displayed list, and then your car and transmission type

(Automatic Transmission – AT – or Manual Transmission – MT). Then, your journey will begin!

The MISSION SELECT menu only displays available missions.

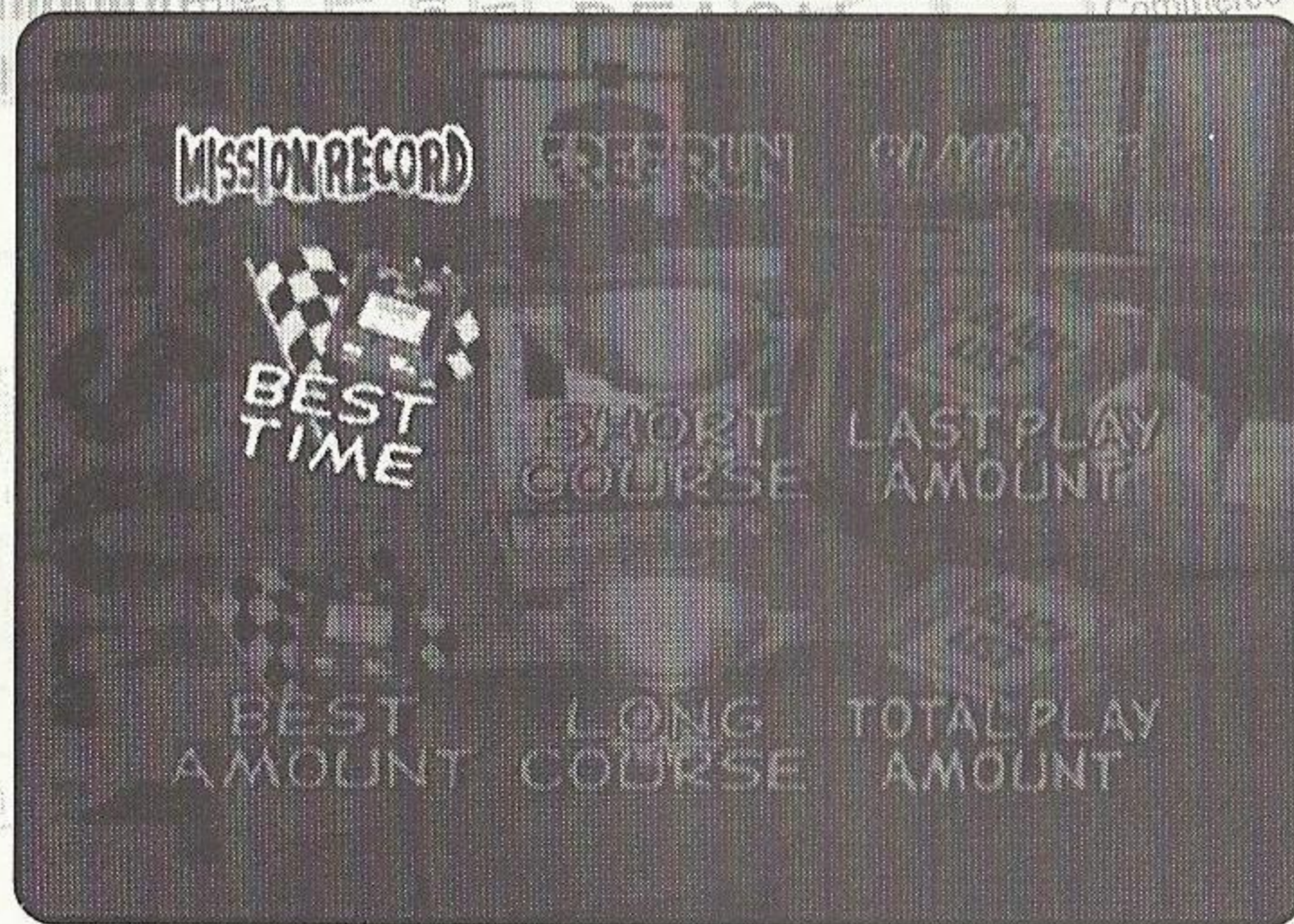
You can change between Scenario A and Scenario B in this menu. However, you cannot use the same car in both scenarios.



RESULT

CHECKING TIME AND BLACK LIST

Choose the menu first, then, use the Left or Right Directional Button to navigate through the menu items seen on your screen. The screen display will change according to the menu item. You can check the "MISSION RECORD" for the time it took you to complete each mission. The "FREE RUN" option shows you the top three records of free style driving on short and long courses. The "BLACK LIST" displays the amount of damage done in the last mission as well as the total damage done for all the games you have played.



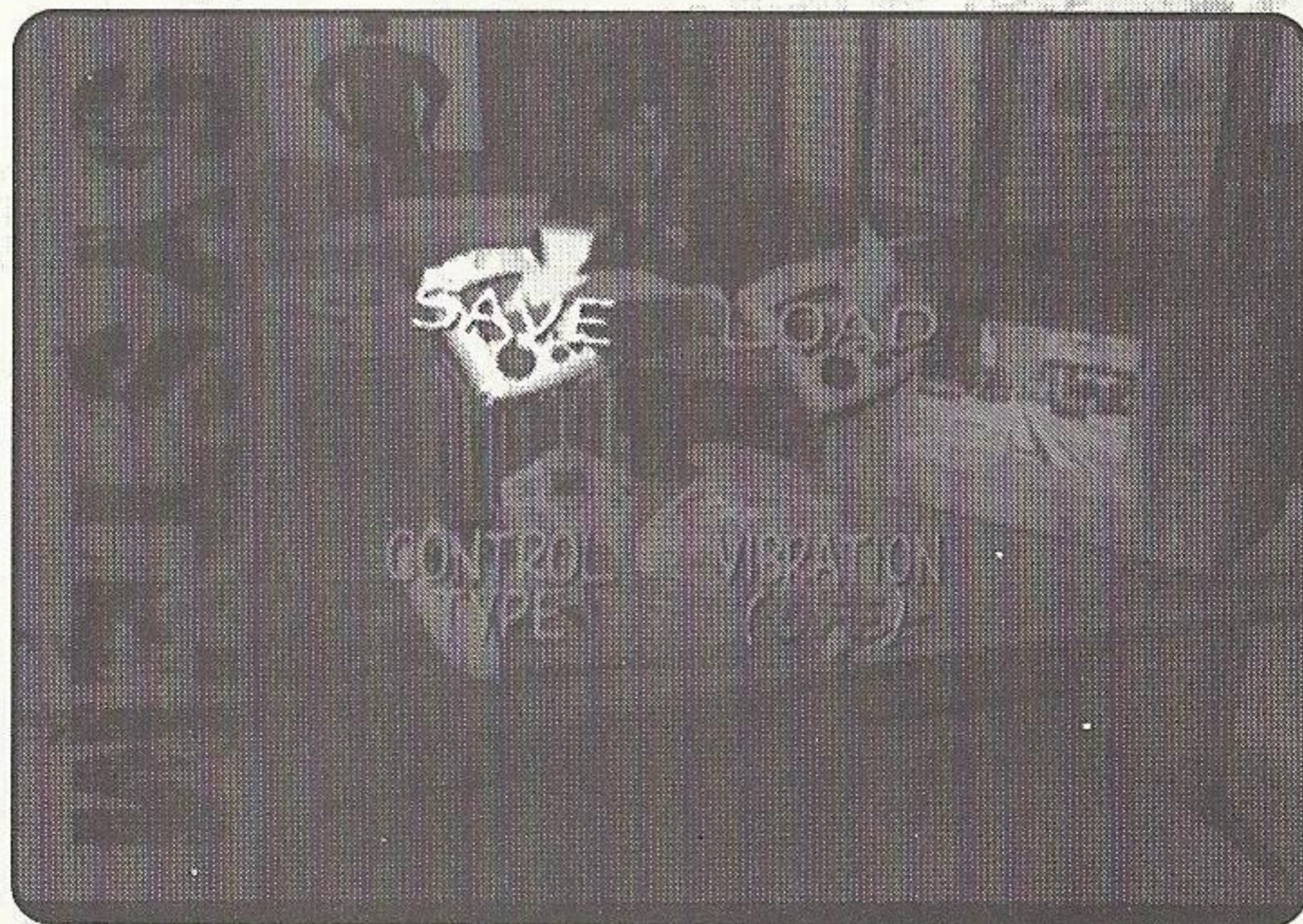
Use the Directional Button to move to the menu item you want to view and press the A Button to select it.

SYSTEM

SAVING THE GAME

In this menu, "SAVE" records the current data, "LOAD" reads previous data, and "CONTROL TYPE" changes your controller configuration. If you have installed the Sega Dreamcast Jump Pack, "VIBRATION" enables you to turn on or off the vibration function.

When you use either command, choose Visual Memory followed by the name of the file that you want to use.



* While saving or loading a game file, never turn OFF the Sega Dreamcast power, remove the memory card or disconnect the controller or other peripheral equipment.

You can create a maximum of three files.

Use the Directional Button to move to the menu you want and press the A Button to select it.



CONTROLLER CONFIG

Select a controller type from two options. The Type A controller setup is the default setting.

VIBRATION

Pressing the A Button toggles the on/off status of the Sega Dreamcast Jump Pack.

REPLAY

REPLAYING THE LAST RUN

Selecting this menu shows you replays of past runs. The "LAST RUN REPLAY" option plays the last mission you were on. "LOAD REPLAY" replays any previously saved run data. "SAVE REPLAY" saves the mission run data in the Visual Memory. You may save a maximum of three locations of run data that require twenty four (24) blocks of available space per file.

WI

minute I
m of yo
when y

y

) -

k any

A

F

(Chec

F

C

) M

o Editic

Inter
1681
Irvin

es and

* While
file, no
Dream
memo
contro
equipt

You can
three file
Use the
move to
press th

CONTI

Select a
default s

VIBRA

Pressing

REPL

play Entertainment Corp.

REPLA 5 Von Karman Ave.

Selecting, CA 92606

option p
saved ru

You may
four (24

First Class
Postage
Required

You cannot see the replay unless there is run data. You can change your viewpoint from the Pause Menu during the replay.

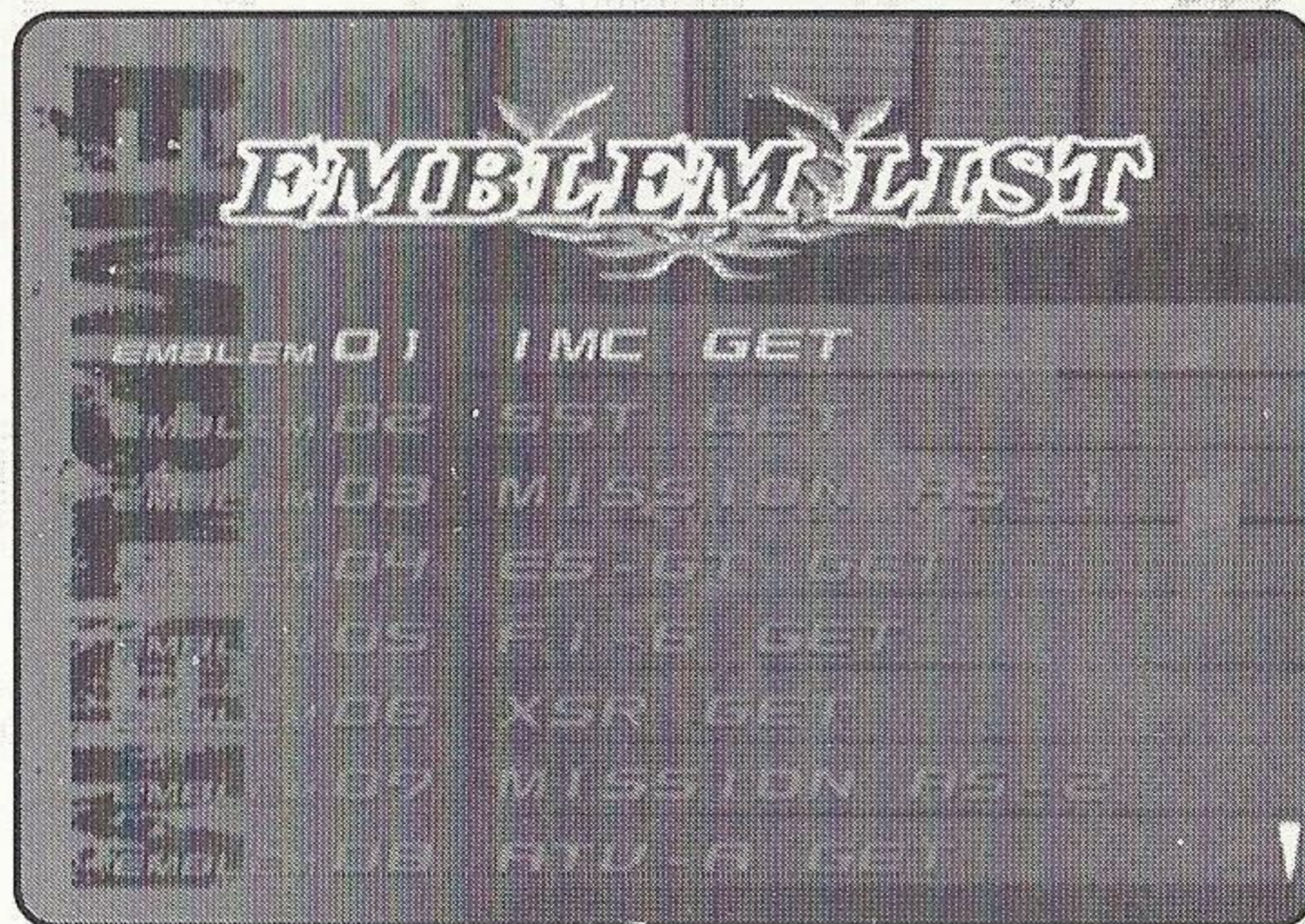
To exit, select "EXIT" from the Pause Menu.

EMBLEM

CHECKING YOUR EMBLEM

In this menu, you can check the Emblem(s) you have earned in the previous missions. If you earn enough Emblems and then save the game, you can gain access to a 'mini-game'!

You can also check the cars you have earned.



SOUND

LISTENING TO MUSIC

This option allows you to change the music and sound effects used during the game. You can also select either stereo or monaural as the stereo type, and change the volume balance of the music and sound effects.

* Use the Left or Right Directional Button to navigate through music titles and select one by pressing the A Button.

Volume can be adjusted in five (5) levels (the default setting is 5).

GARAGE

SETTING UP YOUR CAR

When you enter the Garage, you can choose from four menus with the Left or Right Directional Button, just like the Office menu. First of all, choose your car. Your car appears in the upper right corner. SET UP and FREE RUN are available only after you selected your car. Select automatic (AT) or manual (MT) transmission. Refer to the following explanation for setup items.

* You can return to the Office if you select "OFFICE" in the Garage menu.

There are four (4) driving courses you can chose from. If you want to quit playing a course before you complete it, select "RETIRE" from the Pause menu.

MANUAL SETUP ITEMS

Setup Item	Effect
Steering	Sets up the steering wheel. If you set the value too high, the car tends to spin easily.
Front Suspension	Sets up the stiffness of the Front Suspension. If you increase the value, you can get through the corners with more stability.
Rear Suspension	Sets up the stiffness of the Rear Suspension. If you increase the value, you can get through the corners with more stability.
Front Tire	Sets up the grip of the tires. The higher the value, the less resistance.

Setup Item	Effect
Rear Tire	Sets up the grip of the tires. The higher the value, the less resistance.
Front Stabilizer	Sets up the stabilizer. The higher the value, the tighter the cornering.
Rear Stabilizer	Sets up the stabilizer. The higher the value, the tighter the cornering
Front Brake	Sets up the braking. If the setting is too 'hard', the wheels will lock.
Rear Brake	Sets up the braking. Be careful to balance this setting with the front brakes, otherwise, the car's behavior will change when braking.

FREE RUN

Free Run will allow you to select between four courses. These are:

Short Course - A: Union Square Drive
Two Lap Time Attack

Short Course - B: Columbus Drive
Two Lap Time Attack

Long Course - A: Bayside Drive
Two Lap Time Attack

Long Course - B: Scenic Drive
Single Run Time Attack

After you select your mission, your car, and your car's transmission type (either automatic or manual transmission), you are ready to go! Each mission has preset conditions; achieve the objective within the given time and win the mission. You can use the navigation map on the upper right corner of the screen to help you through the mission.

* First, the mission description appears on the screen. Remember your objective!

HOW TO READ THE SCREEN

1. SPEEDOMETER

Displays the Engine revolutions, transmission, and current speed.

2. REMAINING TIME (SECOND)

Your remaining time to achieve the objective

3. NAVIGATION MAP

Displays the map of the surroundings as well as the position of target objects.

4. OBTAINED ITEMS

Shows the number of items you have obtained to achieve your mission.

5. MARKER

Shows the position of the target object and the remaining distance.

6. AMOUNT (TOTAL AMOUNT)

Shows the total dollar amount of destroyed items.

7. ELAPSED TIME

Shows the time elapsed since the start of your game.

* Finally, you start working on your mission. Fair Warning — it's going to take breakneck speeds to succeed in your assignment in time.

MENU SCREEN DURING THE RUN

You can bring up the Pause Menu by using the Start Button while working on your mission. In this menu, you can change the car's viewpoint or interrupt the mission. Use the Directional Button to navigate through the menu item and press the A Button to select one of them. You can close this menu by selecting the Continue option or by pressing the Start Button.

Continue	Return to the game.
Restart	Start the mission.
View	Change the viewpoint.
Meter	Hide the meter display.
Navi	Change the map display.
Retire	Quit the mission.

MISSION DESCRIPTION AND TIME LIMIT

There are two types of missions; collecting objects and reaching a specific destination. Each mission has its own time limit. You can continue to play if the time limit expires but you cannot achieve your objective any longer.

- * Some missions may not have a time limit.
- * You collect target objects by slamming your car against them.

DAMAGE AND GAME OVER

In general, a mission fails if the time limit expires. In addition to this, if your car is damaged beyond a certain point or falls into the ocean, the game is over. Try the mission again.

- * You cannot check your damage, so you'd better keep an eye out for the "Warning Message!"

WHAT IS AN EMBLEM?

If you fulfill a specific condition in a mission (for example, doing a long distance jump or clearing the game within a short period of time), you earn an emblem. Depending upon the emblem, your number of available cars may increase, giving you more options to play with.

* You must find out the condition on your own to earn an emblem. When you earn an emblem, it will be displayed on the Clear screen.

TRY THE VMU MINI GAMES!!

SUPER RUNABOOT

You can only choose with the Directional Button. The more bombs you put in the trash, the higher score you will get. This is a real race, presented on a vertical screen, rather than your normal game viewpoint. Collect bombs and throw them into the Trash bin. You can hold onto a maximum of 10 bombs. When you run out of gas, go to the GS to refuel. Super Runabout Requires 128 Blocks to save.

VMU CONTROLS

Directional Button

Use this button to navigate through the menu items, move the cursor, and maneuver the car.

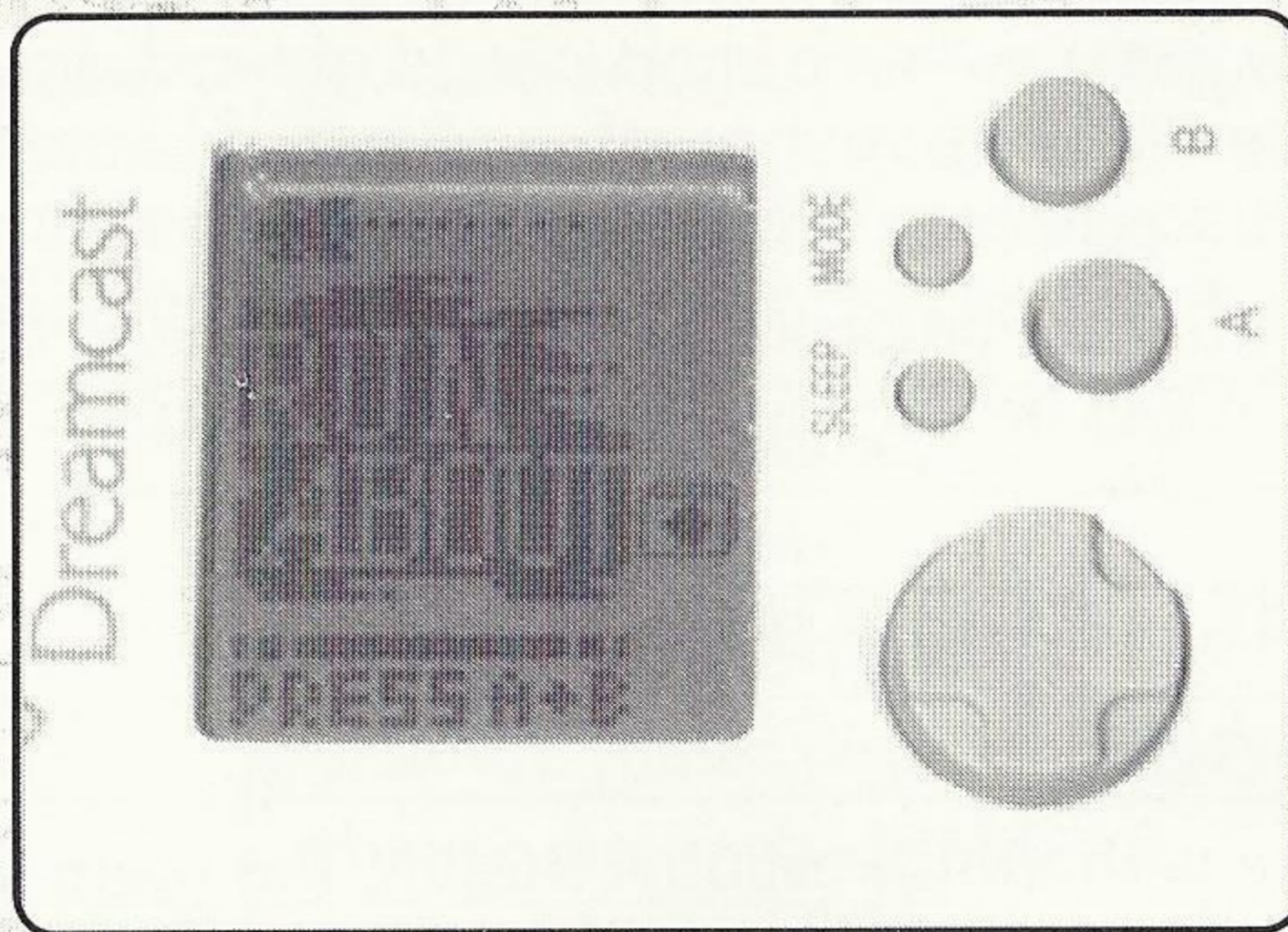
A Button

Use this button to select a menu item or type a dot in the Climax editor.

B Button

Use this button to cancel a command. Each game starts with A + B Buttons.

SUPER RUNABOOT



THE EDITORS

There are two types of tools available for you to choose from: a simple paint tool "Climax Editor" and a rename tool "Name Editor."

CLIMAX EDITOR

Select the EDIT feature to draw a picture and then FILE to save it. Animation is also available.

Edit

File

Modify

Animation

* Climax Editors - Requires 33 blocks to save



NAME EDITOR

You can change the name of a specific character from the game. This can be done at any point in the game.

Choose the name you want to change, then enter the new name. The name data will be saved automatically.

METHOD OF ENTERING A CHARACTER

Choose a text character in (3), confirm the text entry in (2), (1) displays the character you've entered. When you press down arrow on (2), you return to (3). Pressing SP adds one space and ED establishes your entry.

CREDITS

Executive Producer

KAN NAITO

Director

KOKI TAKAHASHI

Physical Dynamics Programmer

MASUMI NAGAYA

Tool & Screen Programmer

NAOKI MATUMOTO

Car & People Control Programmer

KEI SONE

System Screen Programmer

HIROSHI MORIYAMA

Chief Designer

TOSHIAKI SAKAI

Map Designer

HIDENORI ODA

Map & Jimo Car Designer

AYUMI HANASHIMA

Player Car & Character Designer

TSUYOSHI INOUE

System Screen Designer

YUJI MASUDA

Map & Jimo Car Designer

DAISUKE TAKAMORI

Office & Character Designer

MASAYUKI SHIRAI

Sub Planning & Jimopass Design

HIDEKI KASUGA

Management

SIMPEI HARADA

Support

HIDEHIRO YOSHIDA

KIYOAKI MATUMOTO

HUSANO IGUCHI

TETSUYA TAKAHASHI

TADAKATSU OGURA

HIROTADA KAKUSAKA

YOJIRO HIRASHITA

SHINGO YAMADA

KOJI SUGIMORI

JYUNICHI KASIWAGI

SHINOBU SUGANO

Technical Support

MICROSOFT CO.,LTD.

YUICHI MASUYA

SHIGERU KOJIMA

ANDREW C.FLAVELL,PH.D.

SE-Sound Producer

T'S MUSIC LIMITED COMPANY

SHINJI YOSHIKAWA

HIROYUKI HAMADA

MANABU FUJIKI

Special Thanks

SEGA ENTERPRISES,LTD.

MASANAO MAEDA

NAOKI AOKI

MARI MASUDA

DAISUKE NUMAZAWA

SEGA MUSE CORPORATION

TOMOAKI OGAWA

CREDITS

SATOSHI IMAI
FAMICOM-TUSHIN GROUP
SHUSAKU HIRANO
TOSHIKAZU ABE
KEITA SAKAI

Driving Adviser

K2 R&D LIMITED COMPANY
MOTOHARU KUROSAWA

Voice Actors

MIKE ROGERS
YUKA YAMADA

Music Direction & Artist Management

AMUSE D.C.R
SANO-P
SAWAKO MORI

All Music Composed

THE SURF COASTERS
SHIGEO NAKA
MASASHI SAKAI
NOBUHIRO KURITA
KOUICHI MIYAKE

INTERPLAY ENTERTAINMENT CORP.

Head of Product Development

ROB NESLER

Divison Director

JIM MOLITOR

Producer

RUSTY BUCHERT

Line Producer

BRANDON LANG

Product Manager

MIKE SCHARNIKOW

Public Relations Manager

KATY HAMMONDS

Director of Quality Insurance

MIKE MOTADA

QA Manager

GREG BAUMEISTER

Project Supervisor

JOHN KIRKLAND
ERIK GUENTHER

Senior Tester

RODNEY SMITH

Testers

SEAN JOHNSON
THOMAS EDMONDS
LISA HAWKER

Video Manager

DAN WILLIAMS

Multimedia Specialist

BILL STOUTD

Video Editor

DAVE CRAVENS

Manual Design & Layout

MICHAEL L. QUINTOS

Traffic Manager

JEFF BLANCO

Interplay Japan Liasons

HENRY GIESEN
TOSHIKO SUZUKI

TECHNICAL SUPPORT

TROUBLESHOOTING DOCUMENTS ONLINE!

Interplay Productions Technical Support now offers troubleshooting guides with complete installation and setup instructions as well as information that will help you overcome the most common difficulties.

If you have questions about the program, our Technical Support Department can help. Our web site contains up-to-date information on the most common difficulties with our products, and this information is the same as that used by our product support technicians. We keep the product support pages updated on a regular basis, so please check here first for no-wait solutions. If you have access to the World Wide Web, you can find these at

www.interplay.com/support/

If you are unable to find the information you need on our web site, please feel free to contact Technical Support via e-mail, phone, fax, or letter. Please be sure to include the following information in your e-mail message, fax, or letter:

- Title of Game
- Platform
- A description of the problem you're having

If you need to talk to someone immediately, call us at (949) 553-6678 Monday through Friday between 8:00AM-5:45PM, Pacific Standard Time with 24 hours, 7 days a week support available through the use of our automated wizard. Please have the above information ready when you call. This will help us answer your question in the shortest possible time. When you call you will initially be connected with our automated wizard. For information pertaining to your specific title, press "1" on the main menu and listen carefully to all

prompts. All titles are listed alphabetically. After you have selected your title, the most common difficulties will be listed. If the difficulty you are having is not listed or you need additional assistance, you may press "0" on your games main menu, and you will be transferred to a Technical Support Representative. No hints or codes are available from this line.

Interplay Productions Support Fax: (949) 252-2820

Interplay Productions Technical Support
16815 Von Karman Avenue, Irvine, CA 92606

HOW TO REACH US ONLINE

INTERNET E-MAIL: support@interplay.com

WORLD WIDE WEB: www.interplay.com

FTP: [ftp.interplay.com](ftp://ftp.interplay.com)

INTERPLAY WEBSITE

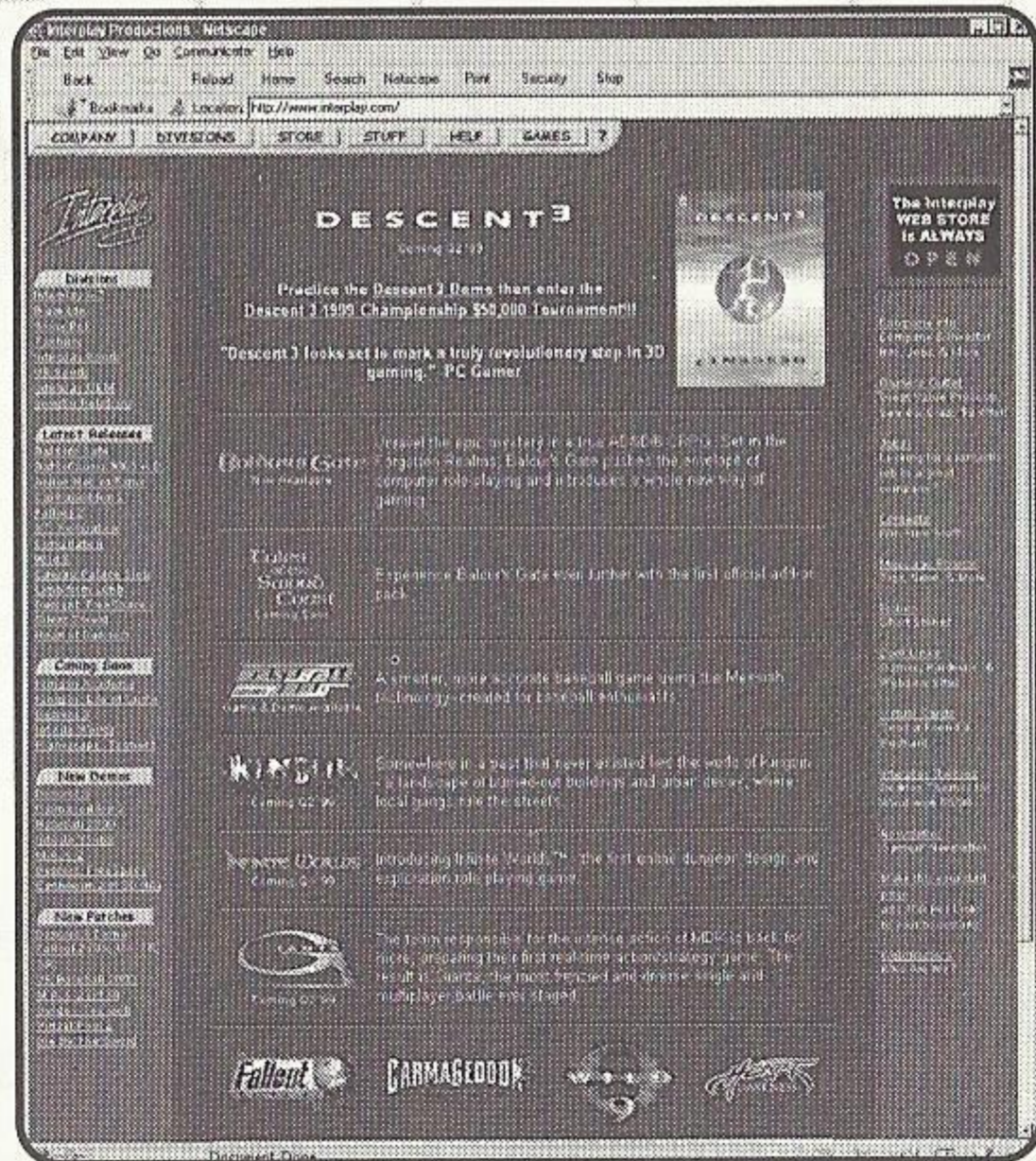
Welcome to the Interplay Web! As a company dedicated to providing innovative, high-quality interactive entertainment software, we are always striving to stay as close as possible to the leading edge of technology. This Web site is the latest example of our ongoing effort to provide a wealth of information and opportunities to you.

As a company of fanatic gamers, we love the idea of gamers all over the world tapping into cyberspace to see, touch and feel our latest games. No hype, no marketing campaign; just great games. To make it work, our goal is to keep this site fresh and new, to make it a place where you can tell US what you like about our games... and what you don't like about them. So use the feedback options on these pages and sound off.

Enjoy your visit in our Web site, explore all the different areas we have to offer, and come back soon. Check us out in the weeks and months ahead; we will be introducing new and exciting areas for you to experience.

Once again, welcome.

Brian Fargo, C.E.O.



HOW TO GET THERE:

From your Internet account, point your favorite browser to: **www.interplay.com**

Interplay's World Wide Web site is an Internet service designed to give you the latest information about Interplay and our products. This site features our demos, upgrades, product information and ordering information. This website is not intended for technical support, but to offer new machines and the latest product information. For technical support, please contact Interplay as described in the Technical Support section.

INTERPLAY WEB STORE

Looking for a quick, easy way to get your favorite Interplay games? Well look no further.....you can now order directly from Interplay. Just turn on your computer and go to...

www.interplay-store.com.

This is your one-stop shop for everything Interplay. Buy the hottest new releases or maybe get a copy of that hard-to-find game that you've been looking for. Purchase some ultra-cool merchandise; or make a bid on a unique collectible in the Online Auction. All this, seasonal specials and much more. So don't delay..... go to **www.interplay-store.com** and get shopping!!

INTERPLAY LIMITED 90-DAY WARRANTY

Interplay warrants to the original purchaser of this Interplay Entertainment Corp. product that the compact disc or floppy disk(s) on which the software programs are recorded will be free from defects in material and workmanship for 90 days from the date of purchase. If the compact disc or floppy disk(s) is found defective within 90 days of original purchase, Interplay agrees to replace, free of charge, any product discovered to be defective within such period upon receipt at its factory service center of the product, postage paid, with proof of the date of purchase. This warranty is limited to the compact disc or floppy disk(s) containing the software program originally provided by Interplay and is not applicable to normal wear and tear. This shall be void if the defect has arisen through abuse, mistreatment, or neglect. Any implied warranties applicable to this product, including warranties of merchantability and fitness for a particular purpose are disclaimed. Interplay disclaims all responsibility for incidental or consequential damages.

Some states do not allow limitations as to how long an implied warranty lasts and/or exclusions or limitations of incidental or consequential damages so the above limitations and/or exclusions or liability may not apply to you. This warranty gives you specific rights, and you may also have other rights which vary from state to state.

LIMITED WARRANTY

If the compact disc or floppy disk(s) should fail after the original 90-day warranty period has expired, you may return the software program to Interplay at the address noted below with a check or money order for \$5.00 (U.S. currency), which includes postage and handling, and Interplay will mail a replacement to you. To receive a replacement, you need to enclose the original defective compact disc or floppy disk(s) in protective packaging accompanied by: (1) a \$5.00 check or money order, (2) a brief statement describing the defect, and (3) your return address. If you have a problem with your software, you may wish to call us first at (949) 553-6678. If your compact disc is defective and a replacement is necessary, U.P.S. or registered mail is recommended for returns. Please send the defective disc(s) only (not the box) with a description of the problem and \$5.00 to:

Warranty Replacements • Interplay Entertainment Corp. • 16815 Von Karman Avenue • Irvine, CA 92606

COPYING PROHIBITED

This software product and the manual are copyrighted and all rights are reserved by Interplay Entertainment Corp. and are protected by the copyright laws that pertain to computer software. You may not copy the software. You may not loan, sell, rent, lease, give, sub license, or otherwise transfer the software (or any copy). You may not modify, adapt, translate, create derivative works, decompile, disassemble, or otherwise reverse engineer or derive source code from all or any portion of the software or anything incorporated therein or permit or encourage any third party to do so.

Notice: Interplay reserves the right to make modifications or improvements to the product described in the manual at any time and without notice.

SOFTWARE USE LIMITATIONS AND LIMITED LICENSE

This copy of Super Runabout™ San Francisco Edition™ (the Software) is intended solely for your personal noncommercial home entertainment use. You may not decompile, reverse engineer, or disassemble the Software, except as permitted by law. Interplay Entertainment Corp. retains all right, title and interest in the Software including all intellectual property rights embodied therein and derivatives thereof. The Software, including, without limitation, all code, data structures, characters, images, sounds, text, screens, game play, derivative works and all other elements of the Software may not be copied, resold, rented, leased, distributed (electronically or otherwise), used on pay-per-play, coin-op or other for-charge basis, or for any commercial purpose. Any permissions granted herein are provided on a temporary basis and can be withdrawn by Interplay Entertainment Corp. at any time. All rights not expressly granted are reserved.

Modem and Network Play: If the Software contains modem or network play, you may play the Software via modem transmission with another person or persons directly without transmission through a third party service or indirectly through a third party service only if such service is an authorized licensee of Interplay. For the purposes of this license, a third party service refers to any third party service which provides a connection between two or more users of the Software, manages, organizes, or facilitates game play, translates protocols, or otherwise provides a service which commercially exploits the Software, but does not include a third party service which merely provides a telephonic connection (and nothing more) for modem or network play. Authorized licensee services are listed on the Interplay Entertainment Corp. World Wide Web Site located at <http://www.interplay.com>. This limited right to transmit the Software expressly excludes any transmission of the Software or any data streams thereof on a commercial basis, including, without limitation, transmitting the Software by way of a commercial service (excepting those specific commercial services licensed by Interplay) which translates the protocols or manages or organizes game play sessions. If you would like information about obtaining a pay-for-play or commercial license to the Software, please call Interplay Entertainment Corp. in the US at (949) 553-6655.

Acceptance of License Terms: By acquiring and retaining this Software, you assent to the terms and restrictions of this limited license. If you do not accept the terms of this limited license, you must return the Software together with all packaging, manuals and other material contained therein to the store where you acquired the Software for a full refund.

ESRB RATING

This product has been rated by the Entertainment Software Rating Board. For information about the ESRB rating, or to comment about the appropriateness of the rating, please contact the ESRB at 1-800-771-3772.

Sega is registered in the US Patent and Trademark Office. Sega, Dreamcast and the Dreamcast logo are either registered trademarks or trademarks of Sega Enterprises, LTD. All Rights Reserved. Made and printed in the USA. WARNING: Operates only with NTSC televisions and Sega Dreamcast systems purchased in North and South America (except Argentina, Paraguay and Uruguay). Will not operate with any other televisions or Sega Dreamcast systems. Product covered under one or more of the following U.S. Patents: 5,460,374; 5,525,770; 5,627,895; 5,688,173; 4,442,486; 4,454,594; 4,462,076; Re. 35,839; Japanese Patent No.2870538, (Patents pending in U.S. and other countries); Canada Patent No. 1,183,276. The ratings icon is a trademark of the Interactive Digital Software Association. Sega of America Dreamcast, Inc, P.O. Box 7639, San Francisco, CA 94120.

The SEGA logo is located in the bottom right corner of the page. It consists of the word "SEGA" in a bold, stylized, blocky font. The letters are white with a black outline, and the "G" has a distinctive shape with a small loop at the top. A registered trademark symbol (®) is positioned to the upper right of the "A".

Also Available

Sega Dreamcast™



SEGA®

TEEN
T
CONTENT RATED
ESR



©2000 Interplay Entertainment Corp. Omen Engine © 2000 Bioware Corp. Developed by Bioware Corp. The Bioware Omen Engine and Bioware logo are trademarks of Bioware Corp. MDK, MDK2 and related marks, Interplay, the Interplay logo and "By Gamers. For Gamers." are trademarks of Interplay Entertainment Corp. Certain characters are © Shiny Entertainment, Inc. Sega, Dreamcast and the Dreamcast logo are either registered trademarks or trademarks of Sega Enterprises, Ltd. All other copyrights and trademarks are the property of their respective owners. All rights reserved. LUA © 1994- 2000 TeCGraf, PUC-Rio. All rights reserved.

BIOWARE®
CORP

© 2000 Climax. Super Runabout: San Francisco Edition, the Super Runabout: San Francisco Edition logo, Digital Mayhem, the Digital Mayhem logo, Interplay, the Interplay logo and "By Gamers. For Gamers." are trademarks of Interplay Entertainment Corp. All rights reserved. Sega, Dreamcast and the Dreamcast logo are either registered trademarks or trademarks of Sega Enterprises, Ltd. All other trademarks or copyrights are property of their respective owners.

Sega is registered in the US Patent and Trademark Office. Sega, Dreamcast and the Dreamcast logo are either registered trademarks or trademarks of Sega Enterprises, LTD. All Rights Reserved. Made and printed in the USA. WARNING: Operates only with NTSC televisions and Sega Dreamcast systems purchased in North and South America (except Argentina, Paraguay and Uruguay). Will not operate with any other televisions or Sega Dreamcast systems. Product covered under one or more of the following U.S. Patents: 5,460,374; 5,525,770; 5,627,895; 5,688,173; 4,442,486; 4,454,594; 4,462,076; Re. 35,839; Japanese Patent No.2870538, (Patents pending in U.S. and other countries); Canada Patent No. 1,183,276. The ratings icon is a trademark of the Interactive Digital Software Association. Sega of America Dreamcast, Inc. P.O. Box 7639, San Francisco, CA 94120.

Interplay™

BY GAMERS. FOR GAMERS.™

MN-SDC-1194-0

SEGA®